

CalPhos™

MAINTENANCE

The bowl should be removed once every six months and carefully washed in hot water in order to eliminate any encrustations that may have formed.

REMEMBER
don't guess...
ASK!

Parts are available from your local stockist. Service contracts are available on request from Calmag.

Telephone: 01535 210320

Fax: 01535 210321

E mail: sales@calmagltd.com

Calmag Limited, Tower View
Calton Road, Keighley
West Yorkshire BD21 4UT



Calmag Limited endeavour to ensure that the information in this document is correct and fairly stated, but does not accept liability for any error or omission. The development of Calmag products is continuous and published information may be out of date.



polyphosphate Scale Inhibitor

HOW CALPHOS WORKS

Water passes through calibrated nozzles in a venturi system, creating a suction of polyphosphates and water solution from the bowl. A proportional dose is then delivered through into the water system.

Inside the unit is a bellows that constantly sucks in the saturated solution preventing the calcium in the water from crystallising and forming a hard encrustation on pipes, boilers, showerheads, taps, washing machines and dishwashers, etc.

CalPhos™

CalPhos™

SPECIFICATION

Appliance for domestic use for the treatment of water.

Height:	100mm.
Width:	120mm.
Depth:	60mm.
Colour/material:	Chromed/clear polypropylene.
Filter cartridge replacement:	CalPhos R.
Maximum working pressure:	7 Bar.
Minimum working pressure:	1 Bar.
Maximum temperature:	45°C.
Maximum flow rate:	30 Litres/Min.
Inlet & outlet fittings:	2x 1/2" BSP female to 15mm connections.

CalPhos™

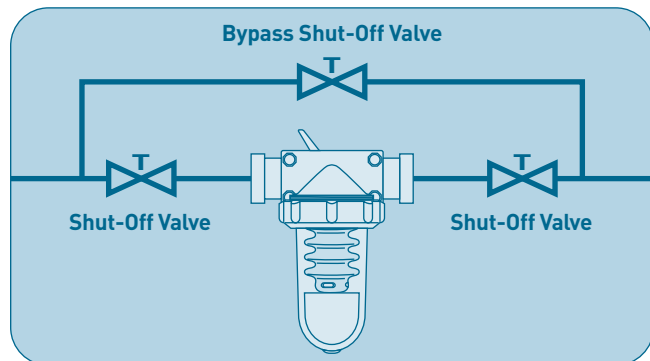
CONTENTS

- CalPhos unit.
- Fitting instructions.
- 15mm fittings x 2.
- CalPhos R polyphosphate cartridge.

CalPhos™

INSTALLATION

Installation diagram



- a. NB — Carefully follow the above diagram if drinking water for human use is dosed. Otherwise the manufacturer cannot guarantee that the appliance conforms to current standards. If the unit is delivering water only for processes (washing machine/boilers/dishwashers etc), only the non return valve must be fitted.

Installation and start-up

- Unpack the **CalPhos** unit and check that it has not been damaged during transit.
- Connect the unit to the main water supply in the way illustrated in the installation diagram.

CalPhos™

OPERATION

The pressure of the water flowing into the unit must not be lower than 1.0 bar and no more than 7 bar. Only if these conditions are fulfilled the unit will be able to operate correctly.

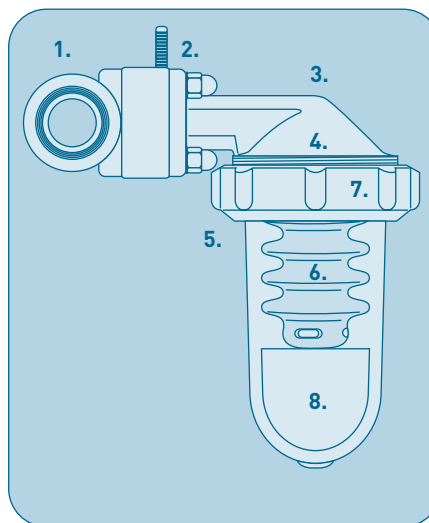
Operations are guaranteed by a venturi suction system that ensures that the water passes correctly through calibrated nozzles. The water that is delivered into the feeding bowl enables the correct dose of polyphosphate in the bowl to be delivered in full compliance with current regulations. Inside the **CalPhos** bowl, there is a bellows that constantly sucks in the saturated solution.

Description of appliance

The **CalPhos** unit consists of:

- Adjustable rear connection in chrome plated brass.
- Fixing ring nut to separate bowl and main body.
- Polyphosphate that is suitable for use with foodstuffs.
- Polyphosphate in cartridge form added to the bowl in the way described below:

CalPhos has a unique head fitted with a tap that allows the flow of the water into the bowl to be interrupted and which enables the bowl to be disassembled when required without the need for interrupting your mains water supply.



1. Rear fitting.
2. Lever tap.
3. Head.
4. Bleeder screw.
5. 'O' ring.
6. Bellows.
7. Fixing ring nut.
8. Polyphosphate and bellows bowl.