

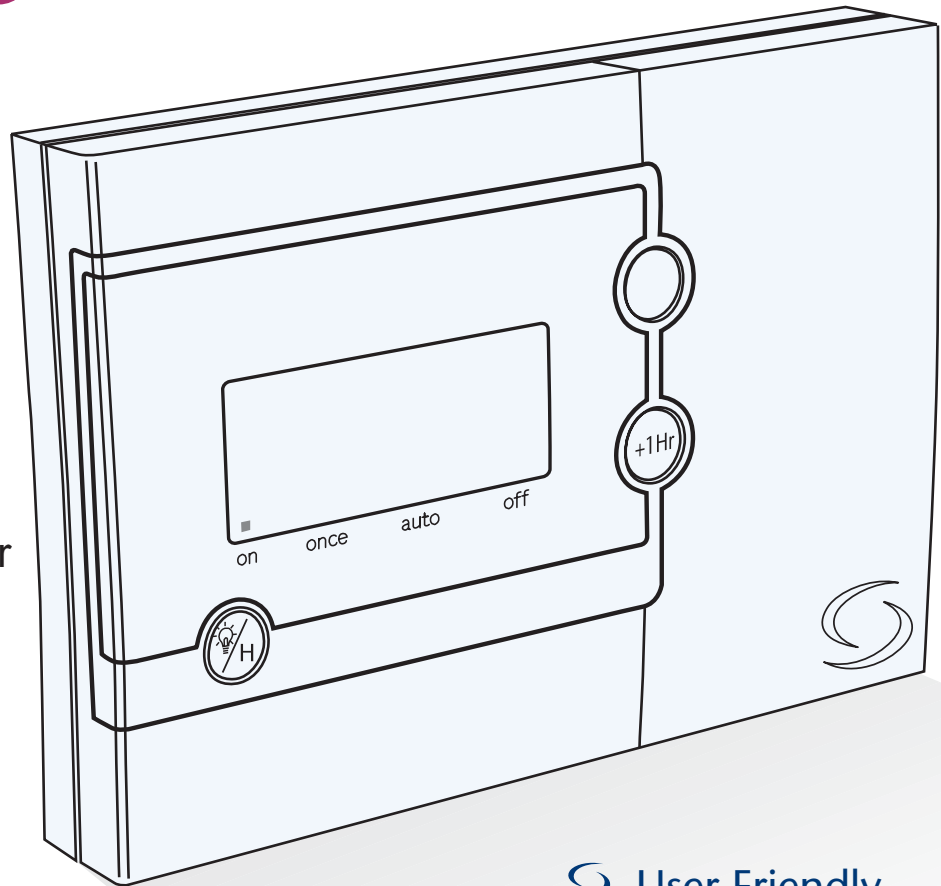
SALUS®

Single Channel PROGRAMMER

Model No. **EP100**

Features

- 3 on/off periods
- Large, easy to read LCD
- Holiday function
- Advance one hour function
- Built-in programme
- Heat called indicator light
- Simple to use functions
- Blue back light
- Memory back-up



User Friendly

The EP100 is a 5/2 or 7 day electronic time switch designed for single channelled applications.

This time switch boasts 3 on/off switch periods, easy to read LCD display with back light, holiday & advance functions, indicator light and simple programming. A simple switch alternates the EP100 between 5/2 or 7 day programming.

Heating Controls

Single Channel PROGRAMMER

Model No. **EP100**

Installation

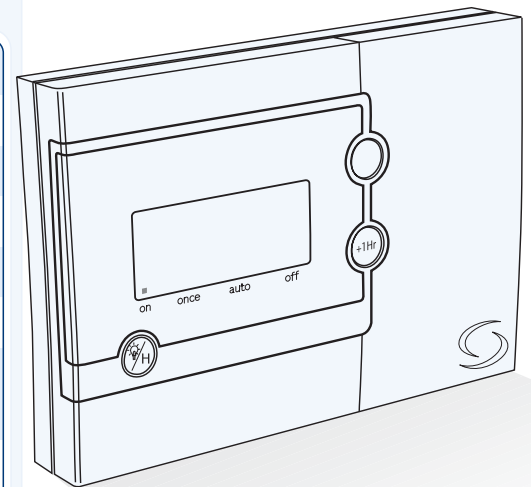
The EP100 can be either surface mounted or flush switch box mounted. The standard Industry back plate provides ease of wiring. The back plate has holes to suit switch boxes and provision for surface wiring.

The EP100 is ideal for combi installations and

also if the user has different heating needs from day to day. The EP100 can also be used as a zone control on larger systems. The EP100 comes with a factory preset programme but with its easy to use functions, setting the unit could not be simpler for the end user.

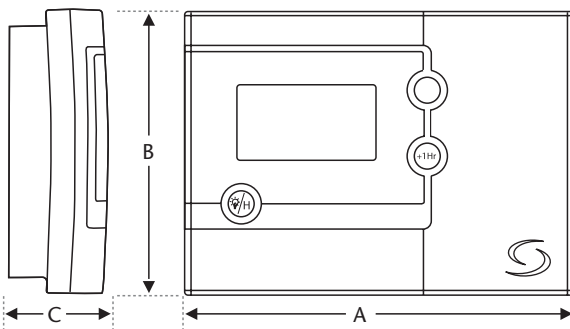
Specification

Power Supply	: 230V/50Hz
Switch Rating	: 230V/50Hz/3A
Switch Type	: Single pole, double throw (SPDT)
Operating Temperature	: 0°C - 50°C
Storage Conditions	: -20°C - 60°C
Clock Accuracy	: +/- 1 min/month
Programme	: 5/2 or 7 day selectable by jumper 3 settings per day
Time Display	: 12 or 24 hour
Memory	: Internal battery back-up
Back Light	: EL Panel blue colour
Agency approval	: CE



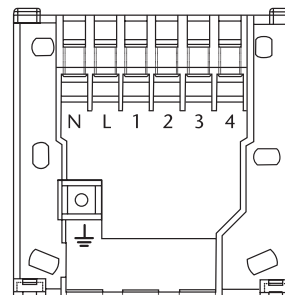
Heating Controls

Dimension (mm)



A	B	C
130	95	40

Wiring Diagram



Back Plate

Terminal Name	Function
N	Neutral
L	Live
1	Central Heating OFF
3	Central Heating ON
E	Earth



Sales +44 (0) 8700 766900 Technical +44 (0) 8700 766902 Customer Services +44 (0) 8700 766902

Salus Controls plc Enterprise Park, Bala, Gwynedd, LL23 7NL Regional offices, England & Scotland.

Maintaining a policy of continual product development Salus Controls Plc. reserve the right to change specification, design and materials of products listed in this brochure without prior notice.

Web: www.salus-tech.com Email: sales@salus-tech.com