



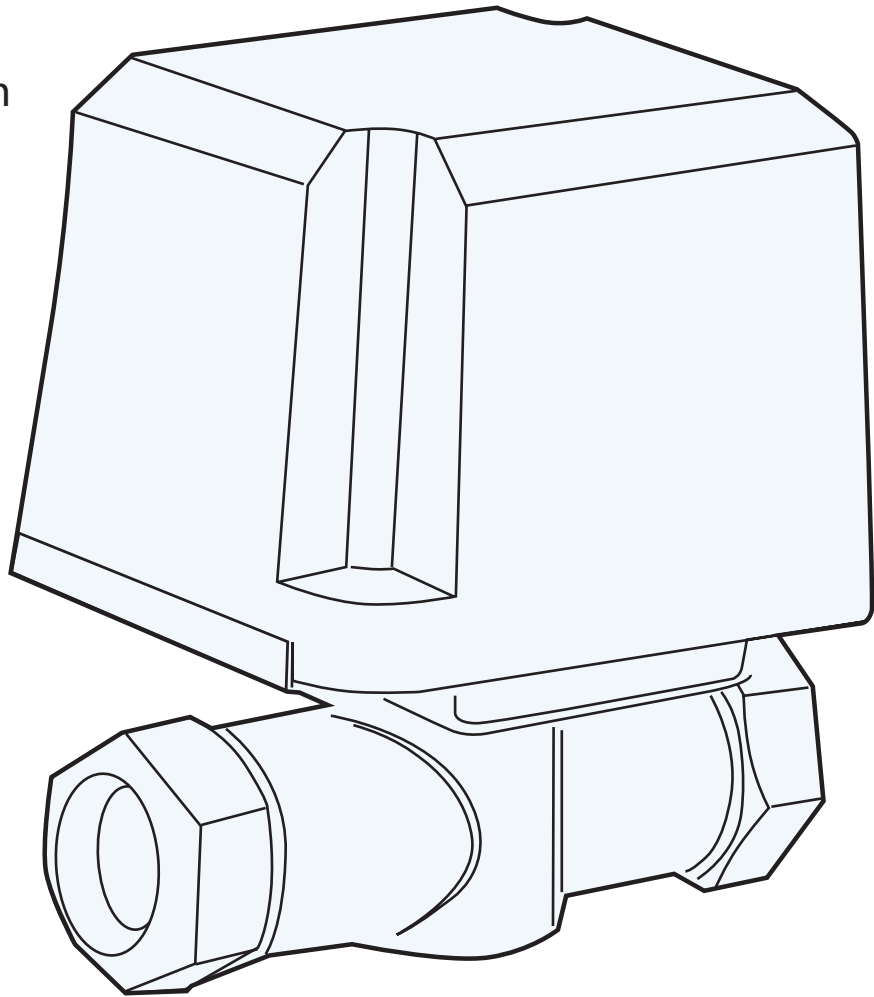
# 2 Port MOTORISED VALVES

Model Nos. **MV222**  
22mm 2 Port

**MV228**  
28mm 2 Port

## Features

- Spring Return Action
- Manual Lever for Filling/Draining
- Easy Clip On/Off Replaceable Actuator
- Quiet Operation
- Reliable
- 1m Flying Lead with Industry Colour Wires



**Salus Motorised Valves offer the ultimate choice for Installers. A simple to replace actuator that requires no need to drain down, Manual lever for filling or drain downs, these valves offer a reliable and outstanding performance to the user.**

**Suitable for all domestic circumstances as well as certain commercial applications.**

The Actuators and valve bodies are supplied together but actuators can be purchased separately. Both 2 port and 3 Port valves are available in 22mm and 28mm to cover all applications.

Heating Controls

# 2 Port MOTORISED VALVES

Model Nos. **MV222**  
22mm 2 Port

**MV228**  
28mm 2 Port

## Installation

The MV222 and MV228 need to be positioned where it can not obstruct a vent or cold feed within a heating system.

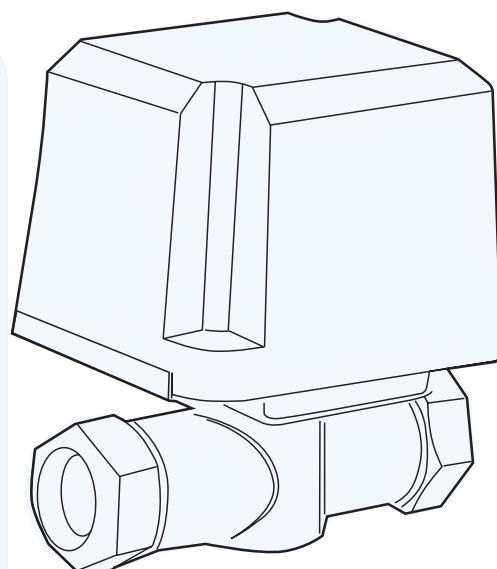
Both models require sufficient ventilation and

must be fitted with the actuator directly above the valve body.

Access must be provided in case of an actuator change.

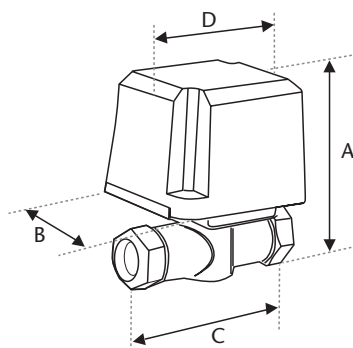
## Specification

Power Supply	: 230V AC/50HZ
Switch Type	: SPST
Switch Rating	: 2.2A
Power Consumption	: 6W
Ambient Temperature	: 50°C Max
Flow Temperature	: 5°C to 90°C
Flow Direction	: As Per Valve Body
Agency Approval	: CE



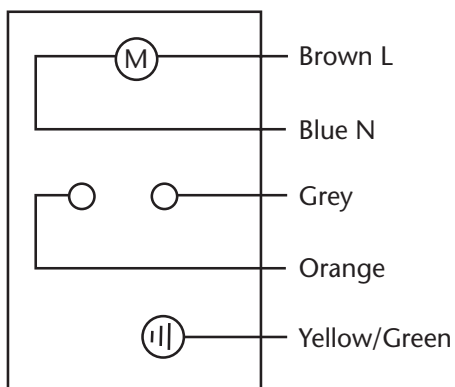
Heating Controls

## Dimension (mm)



	A	B	C	D
22mm	110	70	110	90
28mm	110	70	120	90

## Wiring Diagram



## Models Available

**MV222** 22mm 2 Port

**MV228** 28mm 2 Port

## Replacement

**Actuator** Model No. AC2



Sales +44 (0) 8700 766900 Technical +44 (0) 8700 766902 Customer Services +44 (0) 8700 766902

Salus Controls plc Enterprise Park, Bala, Gwynedd, LL23 7NL Regional offices, England & Scotland.

Maintaining a policy of continual product development Salus Controls Plc. reserve the right to change specification, design and materials of products listed in this brochure without prior notice.

Web: [www.salus-tech.com](http://www.salus-tech.com) Email: [sales@salus-tech.com](mailto:sales@salus-tech.com)