

Thank you for purchasing this Novum product.

Please read through these instructions carefully and refer back to them during installation to ensure that your product is fitted safely and that it retains its high quality finish.

Please retain this leaflet for future reference.

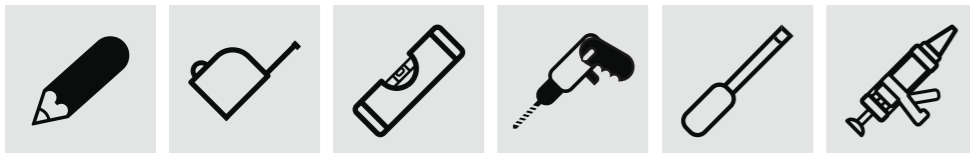
Before drilling, ensure there are no hidden cables or pipes in the wall.

Care Instructions

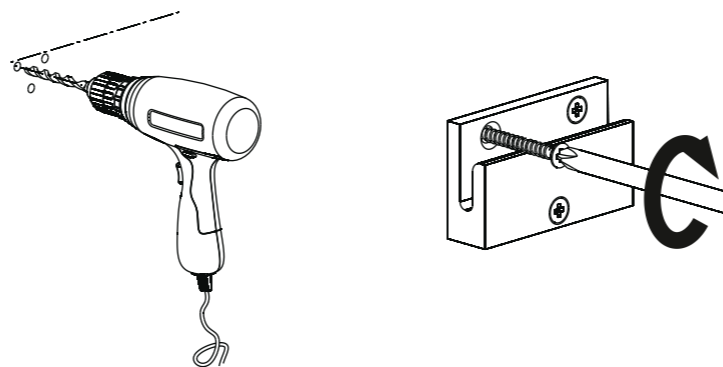
Do not use abrasives or solvents when cleaning this product.
Wipe off all water spillages as soon as possible using a soft cloth.

Tools Required for Installation

- | | |
|-------------------------|--------------------------------|
| 1. Pencil | 4. Drill & Suitable Drill Bits |
| 2. Tape Measure / Ruler | 5. Screw Driver |
| 3. Level | 6. Silicone |



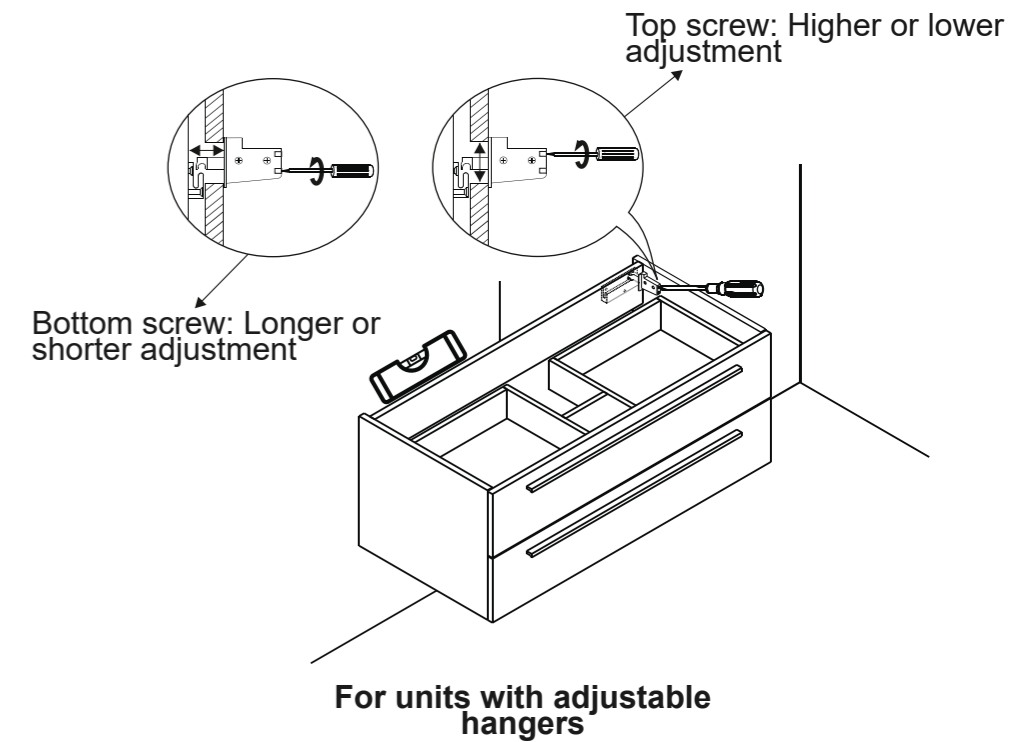
STEP 02



Before drilling, ensure there are no hidden cables or pipes behind the mounting points. Using a suitable drill bit, drill holes in the marked positions to a suitable depth.

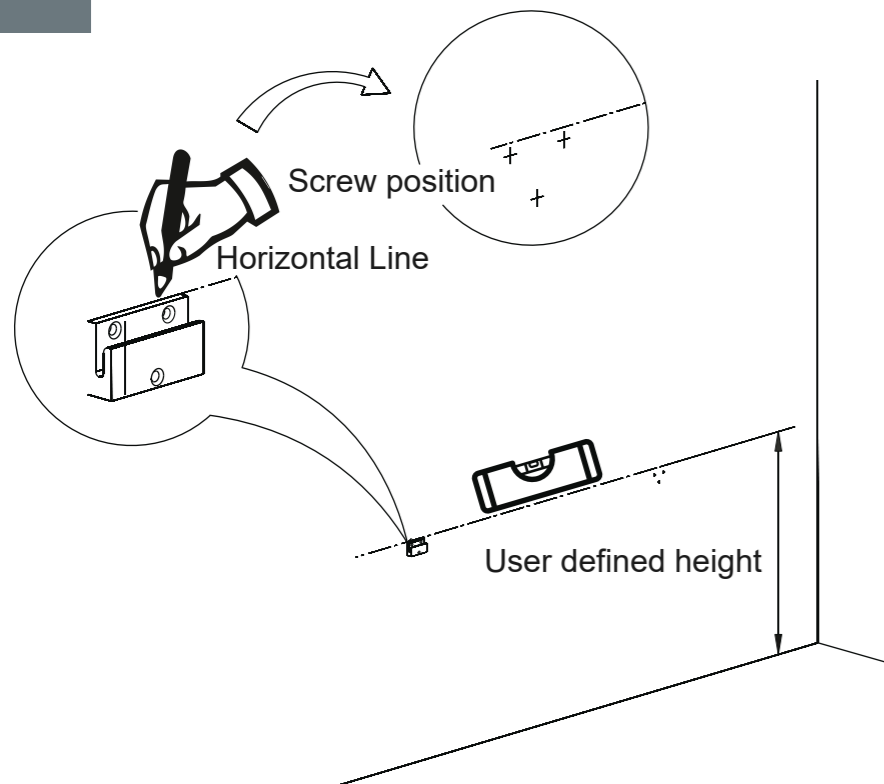
If fitting to a tiled surface, wall plugs should be inserted below the tile surface to avoid cracking. *NB. For plasterboard walls, specialist heavy duty fixings should be purchased, available from any DIY or hardware store.*

STEP 04

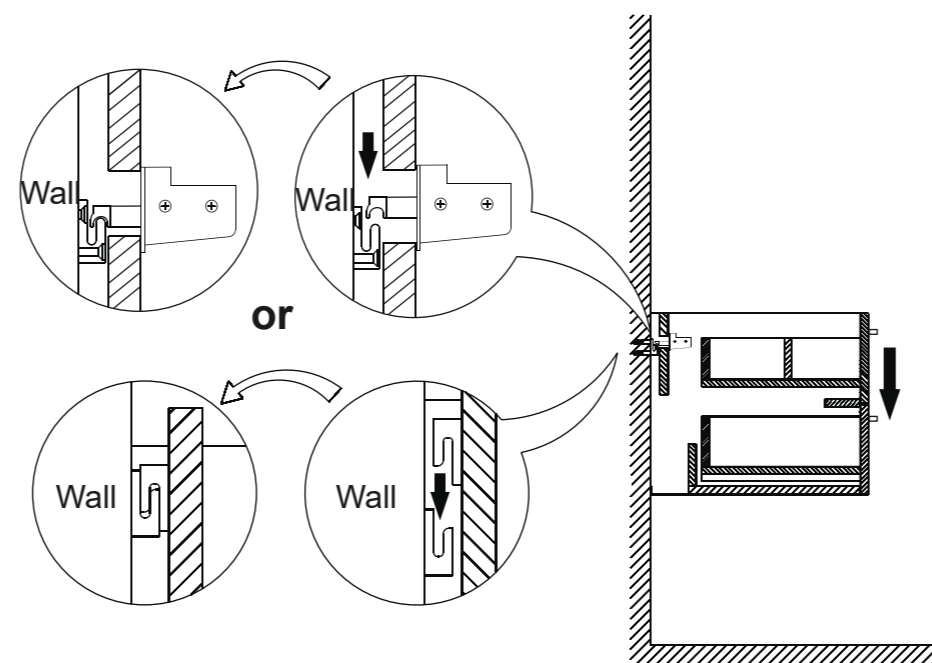


Installing your furniture

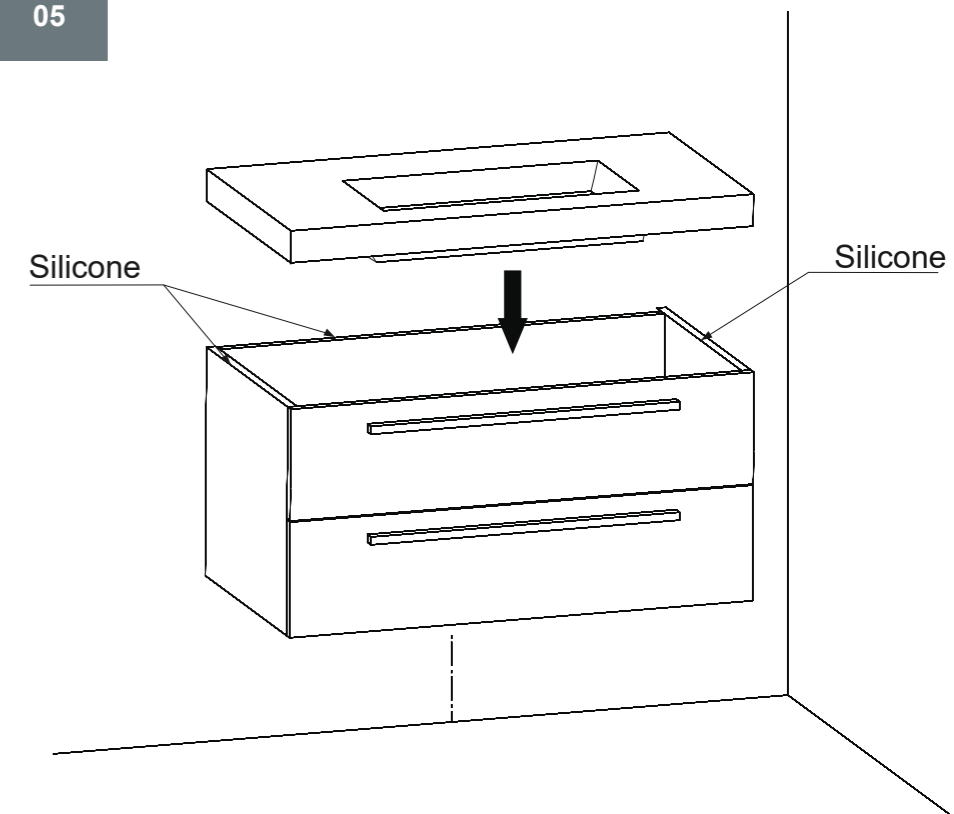
STEP 01



STEP 03

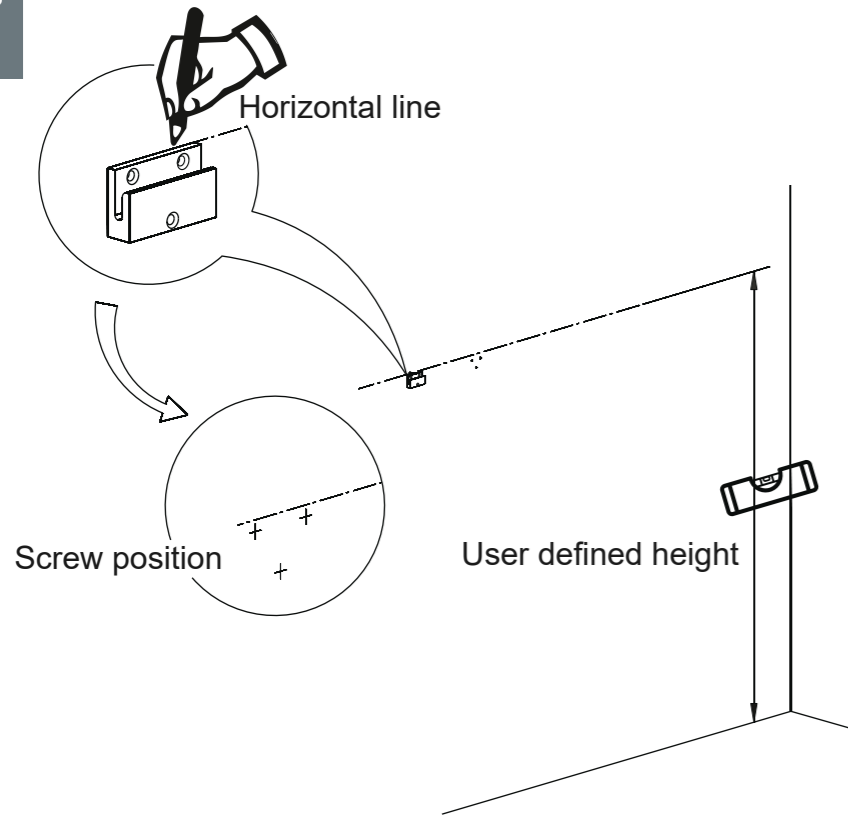


STEP 05

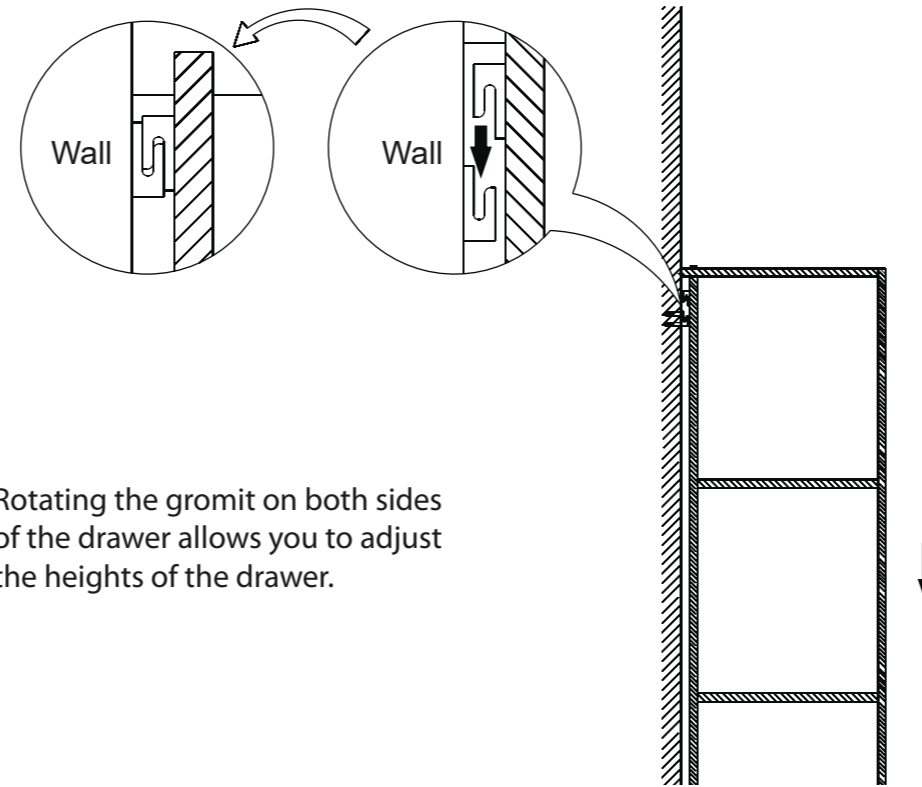


Installing your storage unit or Cabinet

STEP 01



STEP 03



Rotating the gromit on both sides of the drawer allows you to adjust the heights of the drawer.

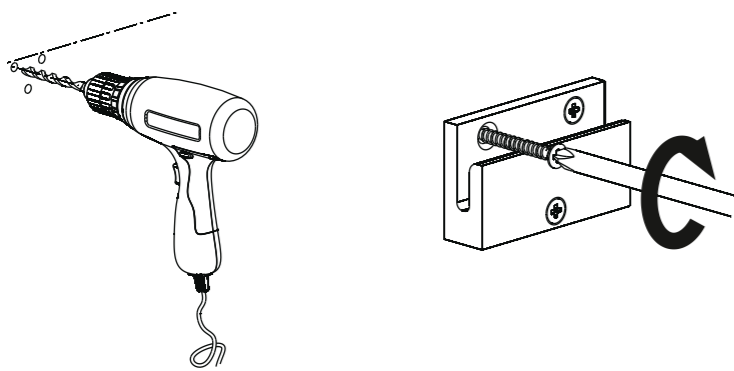
Btw unit

The BTW unit has been designed to make fitting as simple as possible, this unit can be used on its own or next to the full range of Novum bathroom furniture units.

If used next to a washbasin unit, the BTW unit should sit neatly next to the washbasin unit and slightly under the basin. Use a good quality bathroom sealant to make a waterproof joint between the washbasin and the BTW unit top.

Fit the pan and cistern (not supplied) according to the manufacturers instructions. Care should be taken when cutting the hole for cistern lever and for the pan outlet, use a fine tooth saw and be careful to reseal the edge of the cut panel to stop any water ingress.

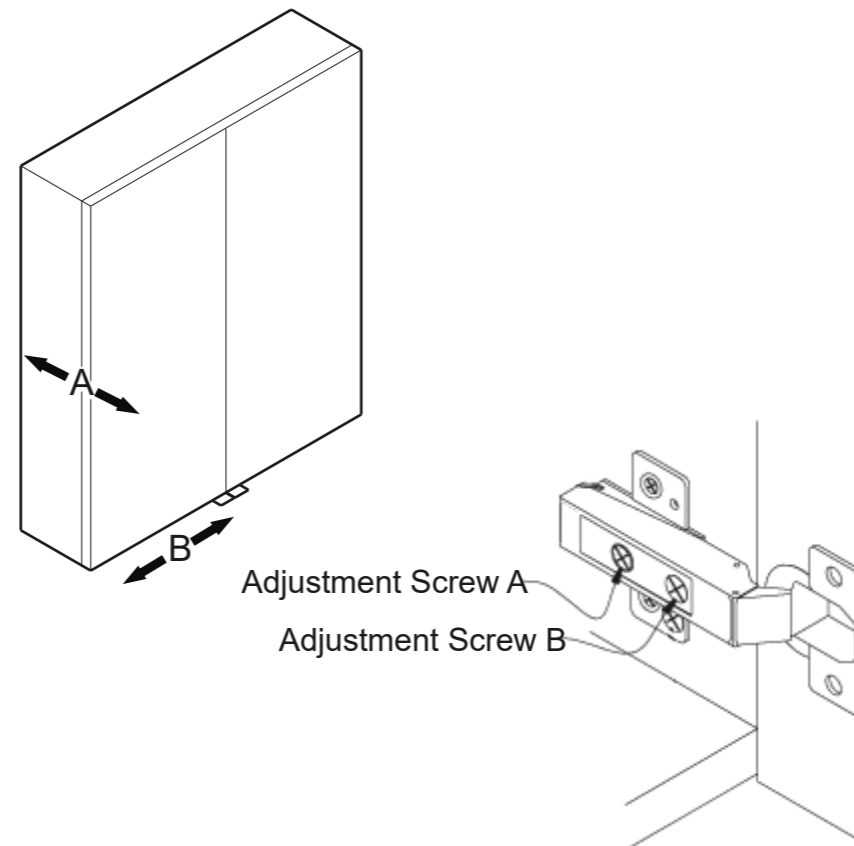
STEP 02



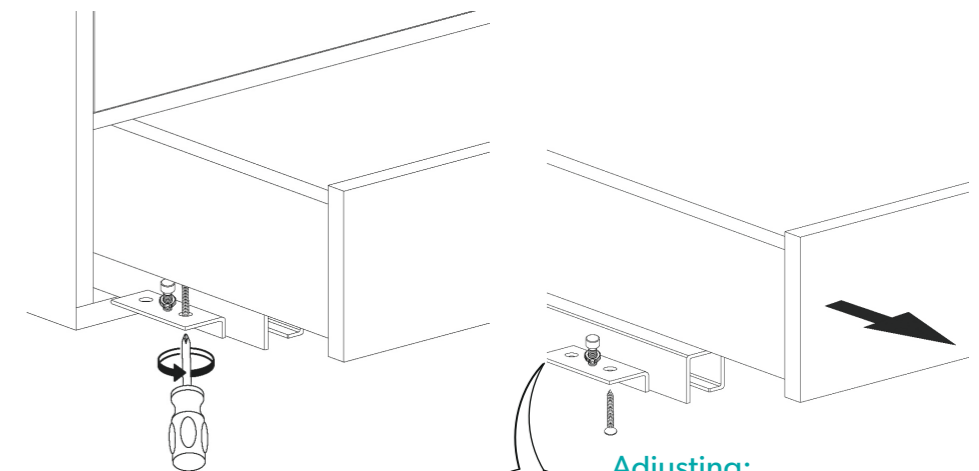
Before drilling, ensure there are no hidden cables or pipes behind the mounting points. Using a suitable drill bit, drill holes in the marked positions to a suitable depth.

If fitting to a tiled surface, wall plugs should be inserted below the tile surface to avoid cracking. *NB. For plasterboard walls, specialist heavy duty fixings should be purchased, available from any DIY or hardware store.*

How to adjust cabinet door(s)



How to remove and adjust the drawer(s)



Removing:

Open the drawer and remove the retaining screw on the drawer bottom on both sides.

The drawer can now be removed.

Adjusting:

Loosen the retaining screws.

This will allow you to rotate the gromit on both sides of the drawer to adjust the height of the drawer.

When the draws have been adjusted, retighten the retaining screws.

HiB Novum, Building 3, North London Business Park, Oakleigh Road South, New Southgate, London, N11 1GN
t: 020 8441 0352 f: 020 8441 0219 e: sales@hib.co.uk

hibnovum.co.uk