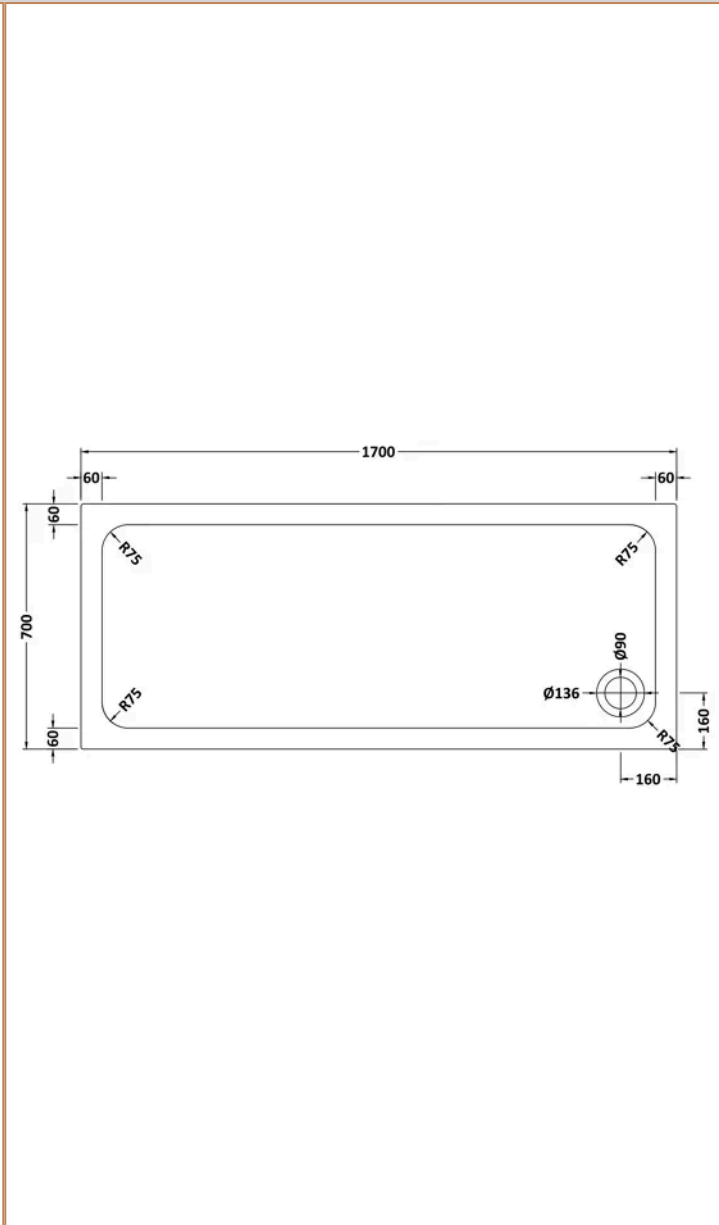


Sales Code: 238H1770-C

Barcode: 5056474546273

Brand: Hydro45

Description: Hydro45 Stone Tray 1700X700 White



Product Dimensions

Product	45 x 700 x 1700mm (H x W x L)
Packaged	80 x 740 x 1740mm (H x W x D)
Nett Weight	47 kg
Packaged Weight	47 kg

Product Details

Country of Origin	United Kingdom
Product Material	Polyester Resin
Colour/Finish	White
Style	Contemporary
Ce Certified	Yes
Leg Set Included	No
Legs Included	No
Raised Edge	Yes
Slip Resistant	No
Waste Included	No
Waste Shape	Round
Waste Size Required	90mm