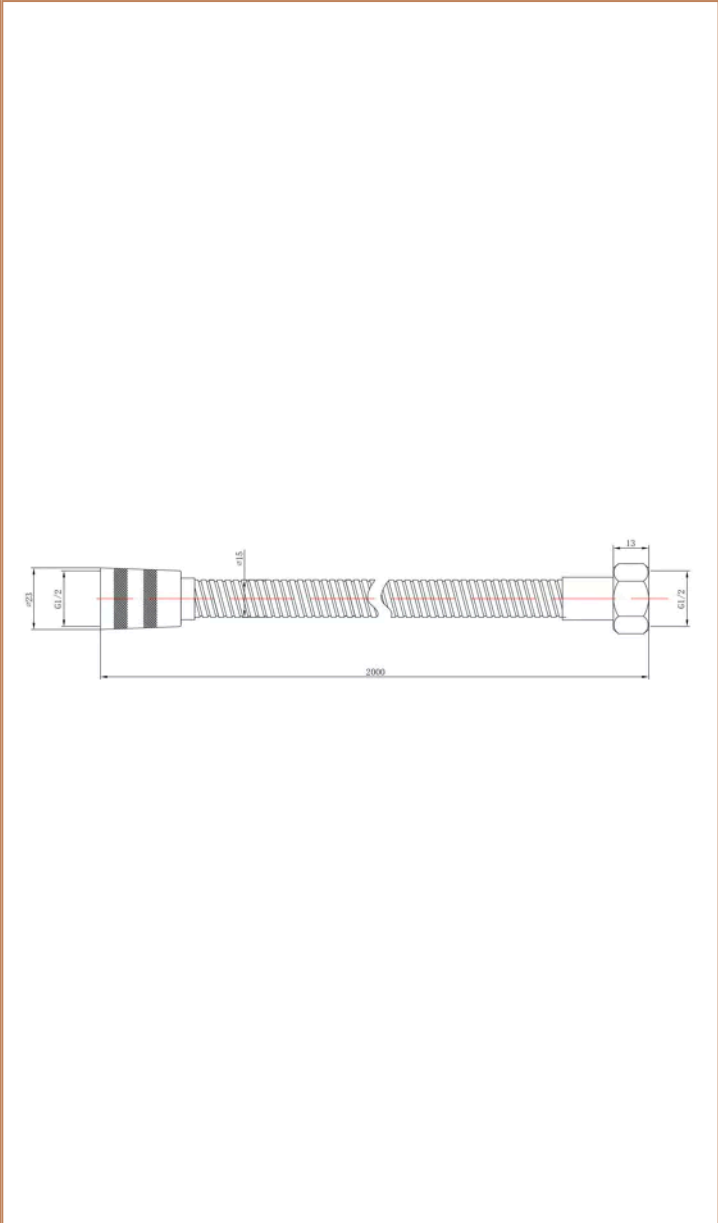


Sales Code: A322

Barcode: 5055369010691

Brand: nuie

Description: Chrome Shower Flex



Product Dimensions

Product	2000 x 15 x 15mm (H x W x D)
Packaged	30 x 170 x 230mm (H x W x D)
Nett Weight	0.38 kg
Packaged Weight	0.38 kg

Packaging Details

Label Size (mm)	50 x 100
Label Colour	White
Label Qty	2.0000

Product Details

Country of Origin	China
Product Material	Brass
Colour/Finish	Chrome
Style	Contemporary
Hose Length	1500 mm