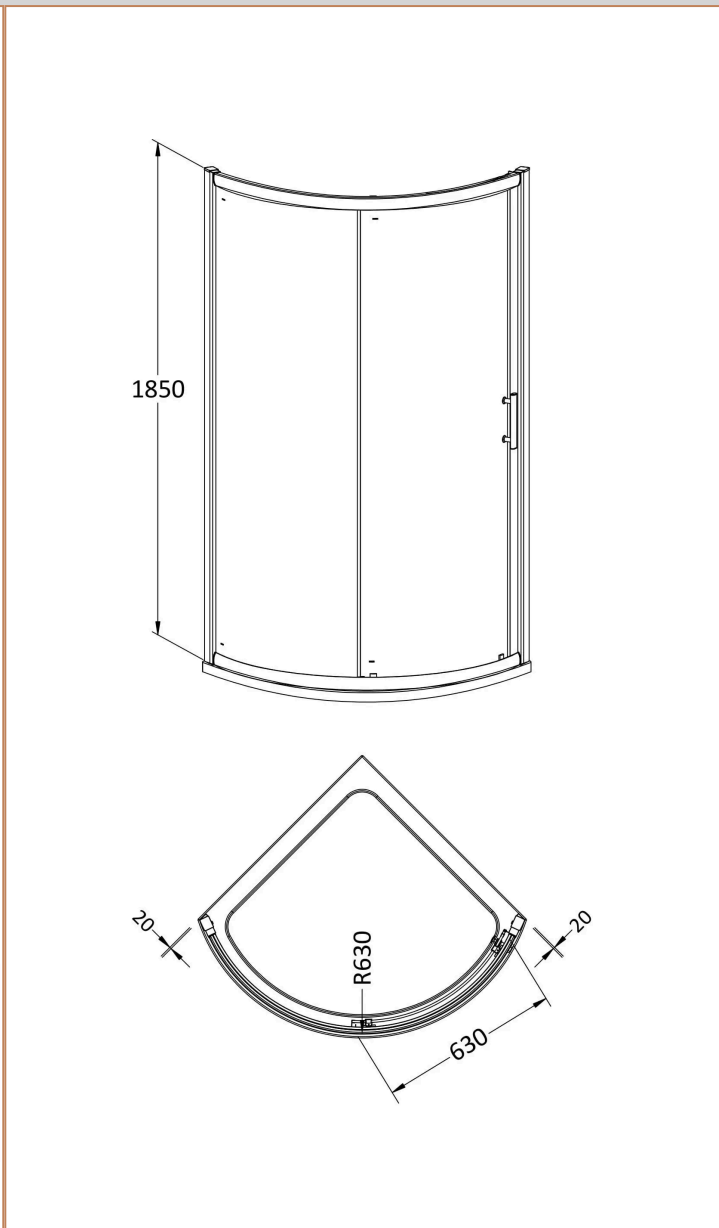


**Sales Code:** AQSE1

**Barcode:** 5055369080175

**Brand:** Hudson Reed

**Description:** Pacific 860mm Single Entry Quadrant Enclosure 6mm Glass



**Product Dimensions**

Product	1850 x 910 x 910mm (H x W x D)
Packaged	1910 x 760 x 180mm (H x W x D)
Nett Weight	46.4 kg
Packaged Weight	46.4 kg

**Packaging Details**

Label Size (mm)	50 x 100
-----------------	----------

**Product Details**

Country of Origin	China
Product Material	Aluminium, Metal
Colour/Finish	Chrome
Style	Contemporary
Handle Type	Square T Shape
Fixings Included	Yes
Easy Clean	No
Ce Certified	Yes
Declaration Of Performance	Yes
Easy Fit	Yes
Enclosure Design	Framed
Entry Width	560 mm
Frame Finish	Chrome
Glass Thickness	6 mm
Handles Included	Yes
No. Doors	1
Radius	630 mm
Support Bar Included	No
Ukca Certified	Yes
Wheel Type	Dual Quick Release