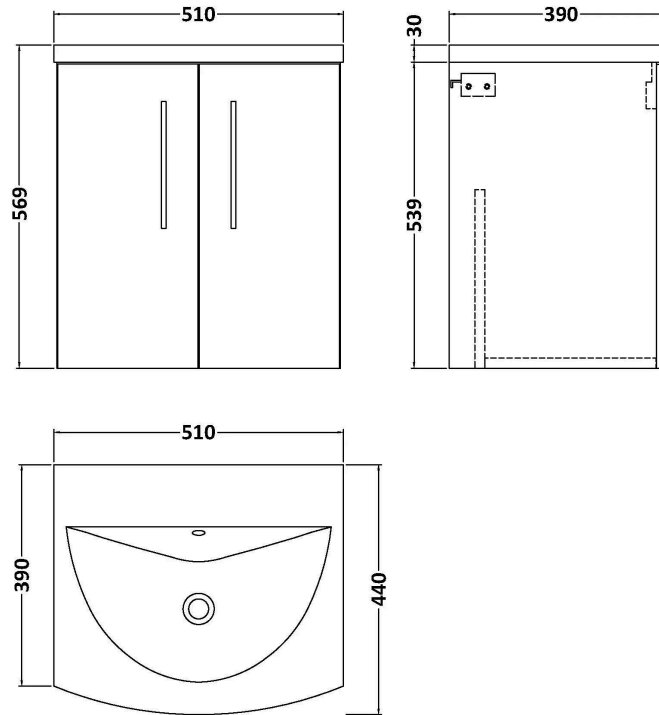


**Sales Code:** ARN821G

**Barcode:** 5056462680668

**Brand:** nuie

**Description:** Nuie Arno 500mm 2 Door Satin Green Wall Hung Vanity Unit With Curved Basin



**Product Dimensions**

Product	570 x 510 x 440mm (H x W x D)
Nett Weight	21.6 kg
Packaged Weight	22.6 kg

**Product Details**

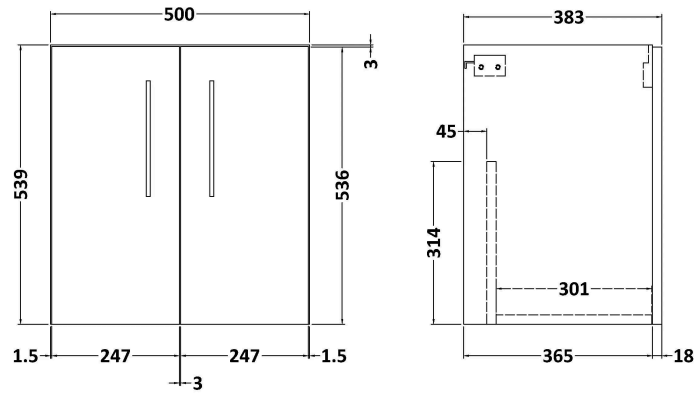
Country of Origin	China
Colour/Finish	Satin Green
Mount Type	Wall Hung
Style	Contemporary
Handle Type	D Shape
Construction Method	Cam & Wood Dowel
Construction Type	Rigid
Handles Included	Yes
Inner Bowl Depth	220 mm
Inner Bowl Height	125 mm
Inner Bowl Width	500 mm
Material Thickness	16 mm
No. Doors	2
No. Of Tapholes	1
Number Of Bowls	1
Overflow Included	Yes
Tap Included	No

**Sales Code:** NVF821

**Barcode:** 5056462658025

**Brand:** nuie

**Description:** Arno 500mm Wall Hung 2-Door Unit



### Product Dimensions

Product	540 x 500 x 383mm (H x W x D)
Packaged	560 x 520 x 405mm (H x W x D)
Nett Weight	12.6 kg
Packaged Weight	13.1 kg

### Product Details

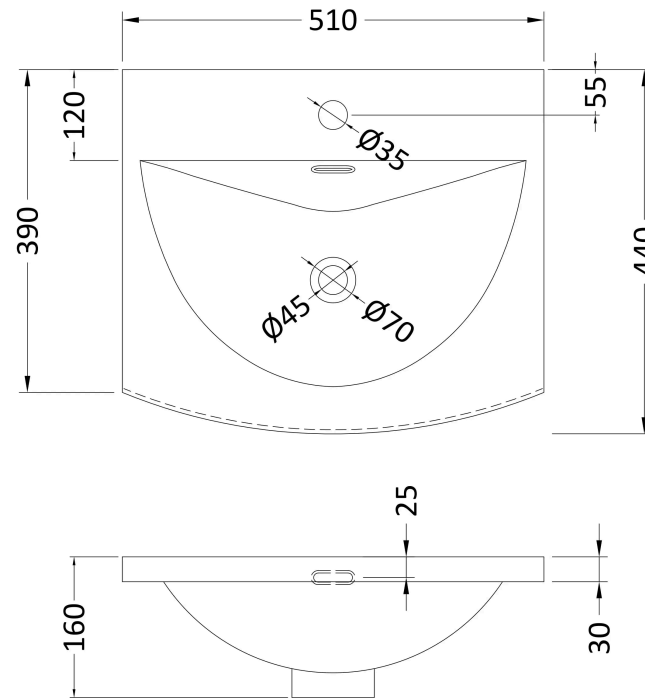
Product Material	Mdf Painted Matt
Colour/Finish	Satin Green

**Sales Code:** NVM042

**Barcode:** 5056462620985

**Brand:** nuie

**Description:** Furniture Curved Ceramic Basin 1 Tap Hole 500mm



### Product Dimensions

Product	160 x 510 x 440mm (H x W x D)
Packaged	190 x 530 x 415mm (H x W x D)
Nett Weight	9 kg
Packaged Weight	9.5 kg

### Product Details

Country of Origin	China
Product Material	Vitreous China
Colour/Finish	White
Style	Contemporary
Inner Bowl Height	125 mm
No. Of Tapholes	1
Number Of Bowls	1
Overflow Included	Yes
Tap Included	No
Waste Included	No