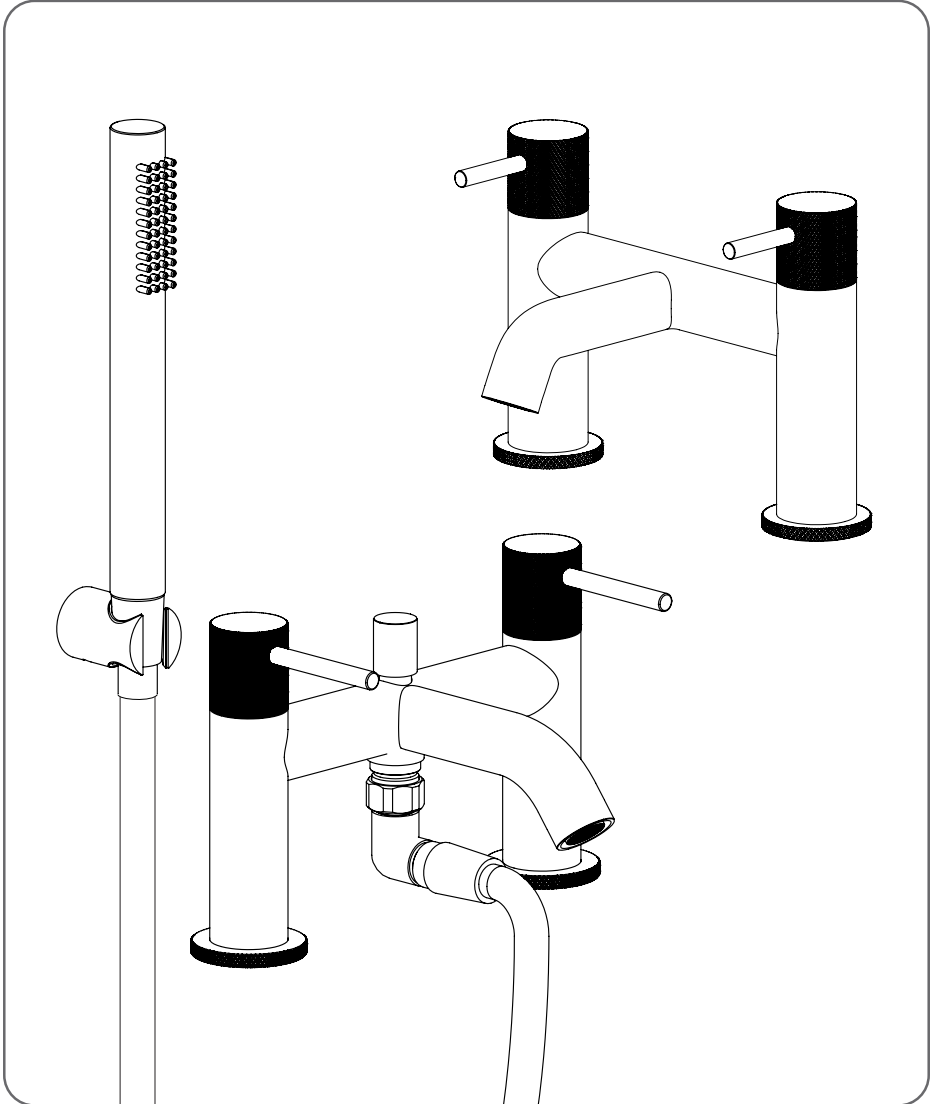


hib.

Atlas Luxe | Bath Filler Installation Guide w/ Handset w/o Handset



Products covered in booklet:

**N0TAP04ALU / N1TAP04ALU / N2TAP04ALU / N3TAP04ALU / N4TAP04ALU
N0TAP06ALU / N1TAP06ALU / N2TAP06ALU / N3TAP06ALU / N4TAP06ALU**

**FI #09 017 R250718
Ver 1.0 SH250718**

Installation Guidelines

We strongly recommend that you use a qualified and registered plumber. Please read these instructions carefully and refer to them throughout the installation process to ensure your product is fitted safely and maintains its high-quality finish. Check all components in the package for defects or damage before starting installation.

- Installation must comply with all Local and National Water Supply Authority Regulations/Byelaws and Building/Plumbing Regulations.
- Must be installed in accordance with BS EN806.
- Once installed, the fitting must comply with the requirements of the Water Supply (Water Fittings) Regulations 1999 and Scottish Byelaws 2004.
- Before connecting any flexible hoses, **all supply pipes MUST be thoroughly flushed to remove any debris.** Failure to do so may result in damage or low flow from the mixer tap unit. (Water Supply [Water Fittings] Regulations 1999, Schedule 2, Section 13.)

For further information, please contact the Water Regulations department of your local water supplier (see the WRAS website www.wras.co.uk for details) or the Water Regulations Advisory Scheme via email (info@wras.co.uk) or by telephone: 01495848454

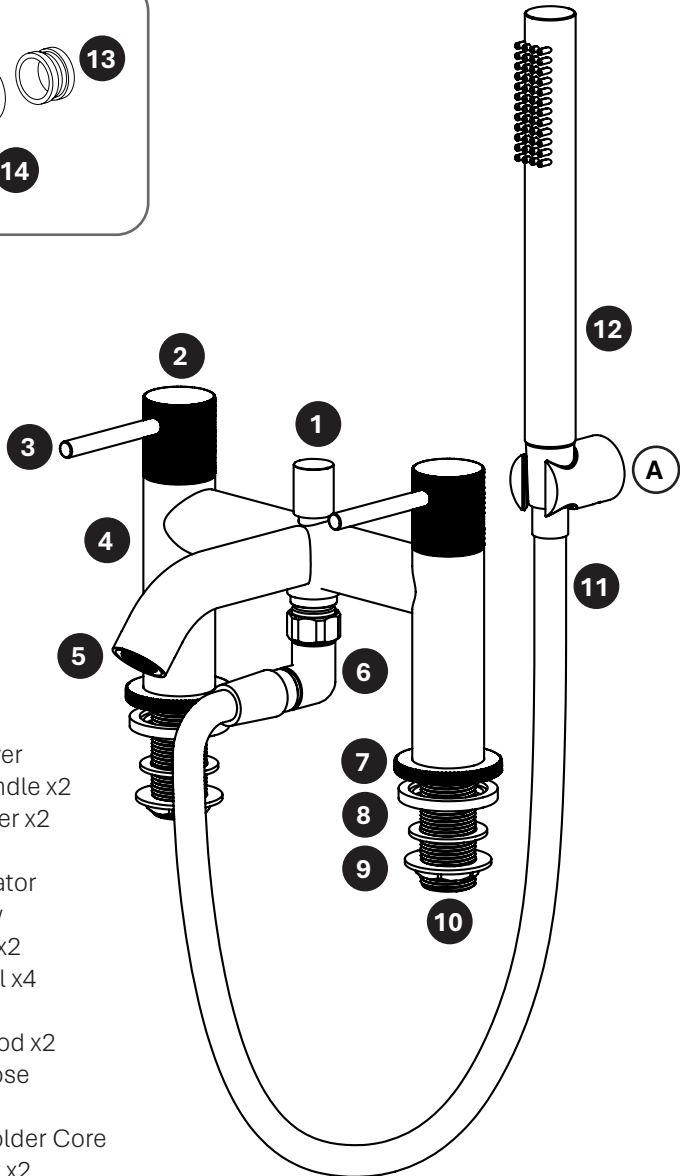
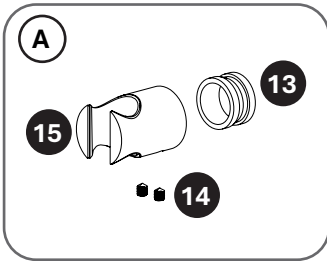
Installation Notes

- This fitting is a mixing device and therefore water supplies should be reasonably balanced.
- Before making any flexible hose connections, **all supply pipes MUST be thoroughly flushed to remove debris**. Failure to do so could result in damage or low flow from the mixer tap unit. Water Supply (Water Fittings) Regulations 1999 Schedule 2 Section 13.
- The fitting of isolating valves to the flexible hoses is advised for ease of maintenance.
- Please take great care when installing this mixer tap to not damage its surface.
- Please note if installing in an enclosed environment, access should be left for servicing and maintenance. No costs relating to inadequate access can be accepted.
- After installing the mixer tap, please check the joints are tightly connected and there are no leaks.
- When in use, pay attention to the flexible hoses. These shouldn't be in torsion or kinked to avoid hose rupture. Flexible hoses should also not be bent more than 60mm in diameter.
- Some spare parts will come as standard with product.

MIN Operating Pressure: **1.0 BAR**

MAX Operating Pressure: **5.0 BAR**

Product Diagram



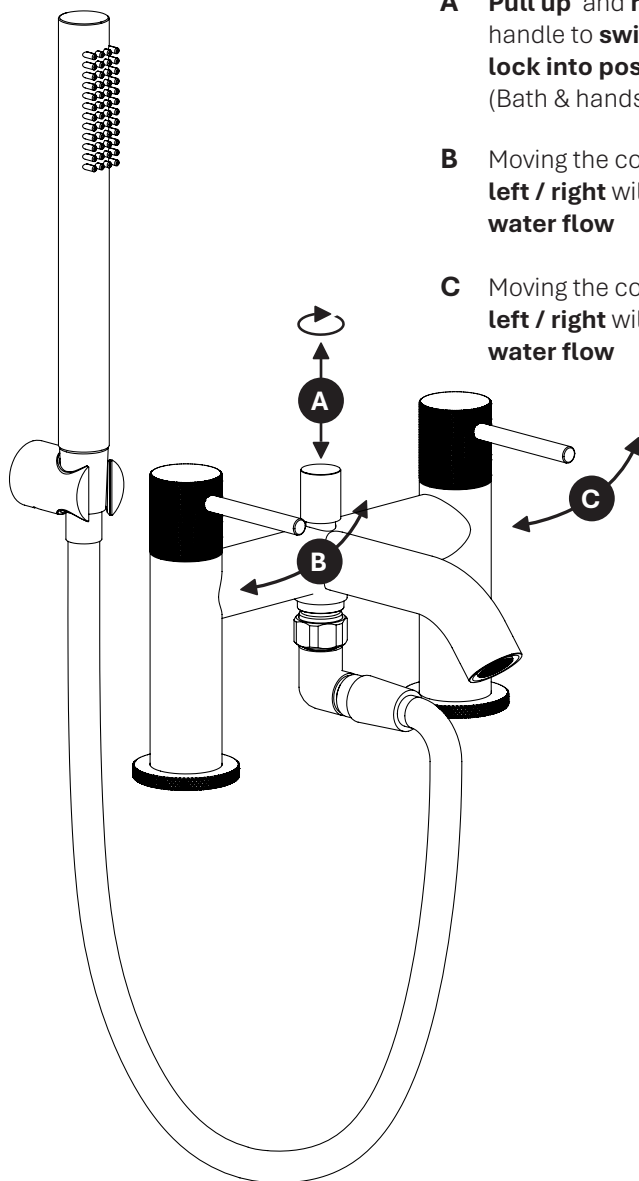
- 1 Diverter Lever
- 2 Control Handle x2
- 3 Control Lever x2
- 4 Mixer Body
- 5 Spout / Aerator
- 6 Hose Elbow
- 7 Mixer Base x2
- 8 Rubber Seal x4
- 9 Lock Nut x2
- 10 Threaded Rod x2
- 11 Handset Hose
- 12 Handset
- 13 Handset Holder Core
- 14 Grub Screw x2
- 15 Handset Holder Cover

Operations

A Pull up and rotate diverter handle to **switch outlets and lock into position.**
(Bath & handset mixer only)

B Moving the control lever from **left / right** will control **hot water flow**

C Moving the control lever from **left / right** will control **cold water flow**



Installation Steps

Before installing your new mixer tap, flush through the pipework to remove any debris, and ensure water supply is turned off.

- 1.** Mount mixer tap on desired surface, assembling in the order as shown in **Fig. 1**. Tightening by hand is sufficient.
- 2.** Connect the flexible hoses to the water supply shown in **Fig. 2**. **Make sure hoses are not twisted or folded as this may restrict water flow.**
- 3.** Turn on the water supply and check for leaks. Operate each handle separately, make sure to rotate handle to its maximum operation, ensuring there are no leaks.

If you have the bath filler and handset mixer, please read on for handset assembly and installation:

- 1.** Separate the two parts of the handset holder by unscrewing grub screws. Position the holder core at the desired location and mark the fixing point with a suitable pencil. Remove the core from the wall, drill the hole to a suitable depth, insert suitable wall plug and secure core in place with suitable screw. The holder cover can now be placed over the core and secured in place with grub screws as per **Fig. 3**.
- 2.** Remove the protective cap off one end of the handset hose then screw onto hose elbow. Remove second cap and screw handset onto hose, see **Fig. 3**. Ensure rubber seals are in place before installing hose. The handset can then be placed on its holder until use.

Once all water connections are made, turn on water supply and check all joints for leaks.

Installation Figures

Fig. 1 Mounting Mixer

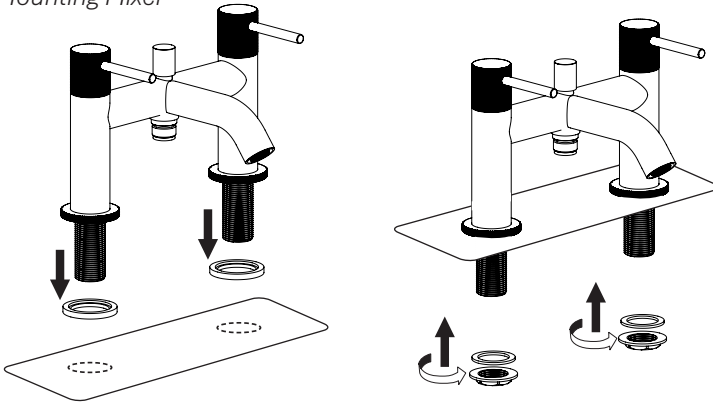


Fig. 2 Tap Tail Connections

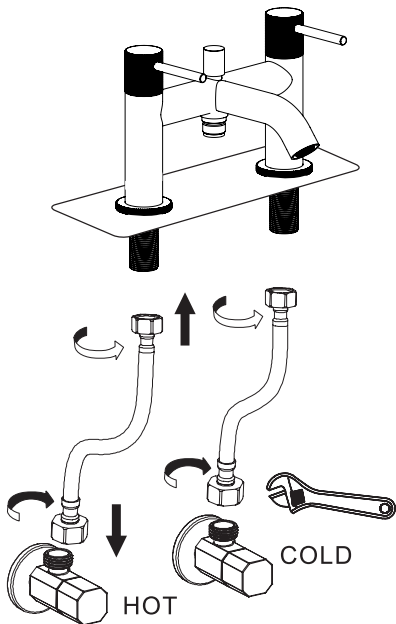
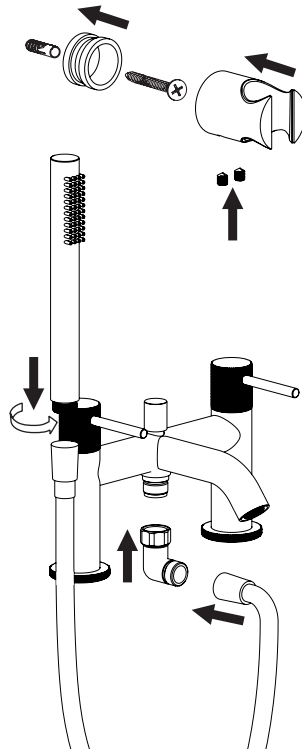


Fig. 3 Handset Assembly



General Maintenance & Care

Always wipe away excess water and spillages immediately. Only clean using a neutral cleaner with a soft, damp cloth. Ensure the product is rinsed with water and dried thoroughly. **DO NOT** use any aggressive abrasives, solvents, or cleaning powders. Dry product after each use using a soft, dry cloth or microfibre.

In the unlikely event that this product fails, please contact the retailer from which the item was purchased. Please note: Issues arising from debris, inadequate maintenance, or insufficient cleaning before, during, or after installation are **NOT covered under warranty**. hib. reserves the right to make a final judgement based on the information provided by the customer, findings from a site visit, or upon return and inspection of the product. For full warranty terms and conditions, please visit our website.

Batch Number

T: +44 (0)20 8441 0352 E: sales@hib.co.uk hib.co.uk

**Building 3, North London Business Park, Oakleigh Road South, New Southgate, London. N11 1GN.
3rd Floor, 40 Mespil Road, Dublin 4. DO4 C2N4.**

©hib. Copyright: No part of this document may be reprinted or duplicated without hib. consent. All sizes and measurements are approximate, but we do try and make sure they are as accurate as possible. In the interest of continuous product development, hib. reserves the right to alter specifications as necessary. E & OE.

Trade Mark No: UK00004178332