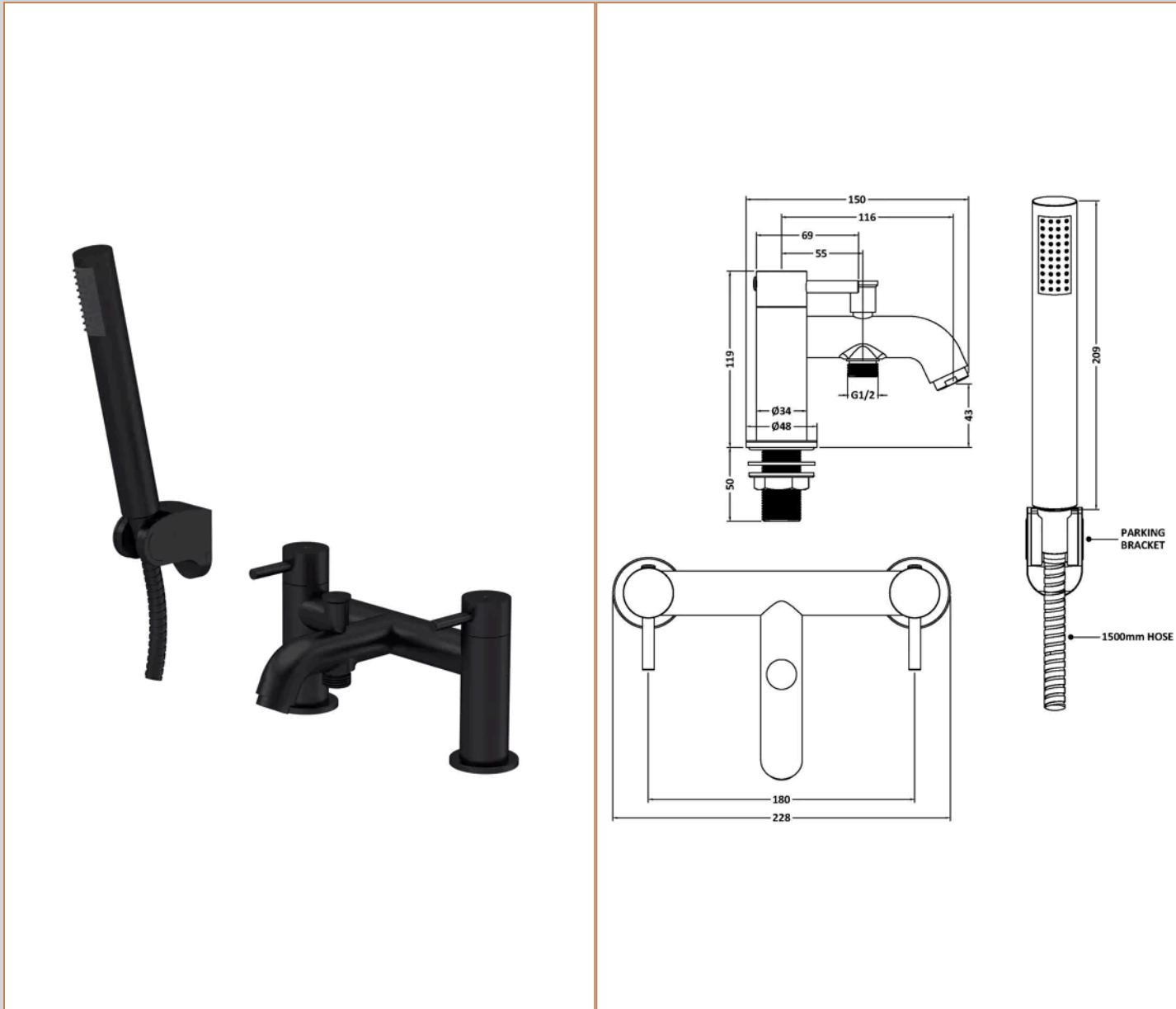


**Sales Code:** CAR404

**Barcode:** 5056678445228

**Brand:** nuie Choice

**Description:** nuie choice Cartagena Matt Black Bath Shower Mixer



### Product Dimensions

Product	119 x 228 x 150mm (H x W x D)
Packaged	160 x 250 x 200mm (H x W x D)
Outer Box	500 x 420 x 265mm (H x W x D)
Nett Weight	1.6 kg
Packaged Weight	1.8 kg

### Packaging Details

Label Size (mm)	50 x 100
Label Colour	White
Label Qty	1.0000

### Product Details

Country of Origin	China
Product Material	Brass
Control Type	Manual
WRAS Approved	No
Valve/Cartridge Type	1/4 Turn Ceramic Disc
Colour/Finish	Matt Black
Mount Type	Deck
Style	Contemporary
Handle Type	Lever/Round
TMV2 Approved	No
TMV3 Approved	No
Handset Included	Yes
Hose Included	Yes
Hose Length	1500 mm
Min Operating Pressure	2 Bar
Minimum Operation Pressure	2 Bar
Tap Spout Height	43 mm
Tap Spout Projection	116 mm
Valve / Cartridge Type	1/4 Turn Ceramic Disc
Waste Included	No