

Sales Code:
CML001

Barcode: 5055369027354

Brand: nuie

Description: Nuie Contemporary White Bathroom Suite with 550mm 1 Tap Hole Full Pedestal Basin & Soft Close Seat



Product Dimensions

| | |
|-----------------|-------------------------------|
| Product | 748 x 382 x 635mm (H x W x D) |
| Nett Weight | 0.55 kg |
| Packaged Weight | 0.55 kg |

Product Details

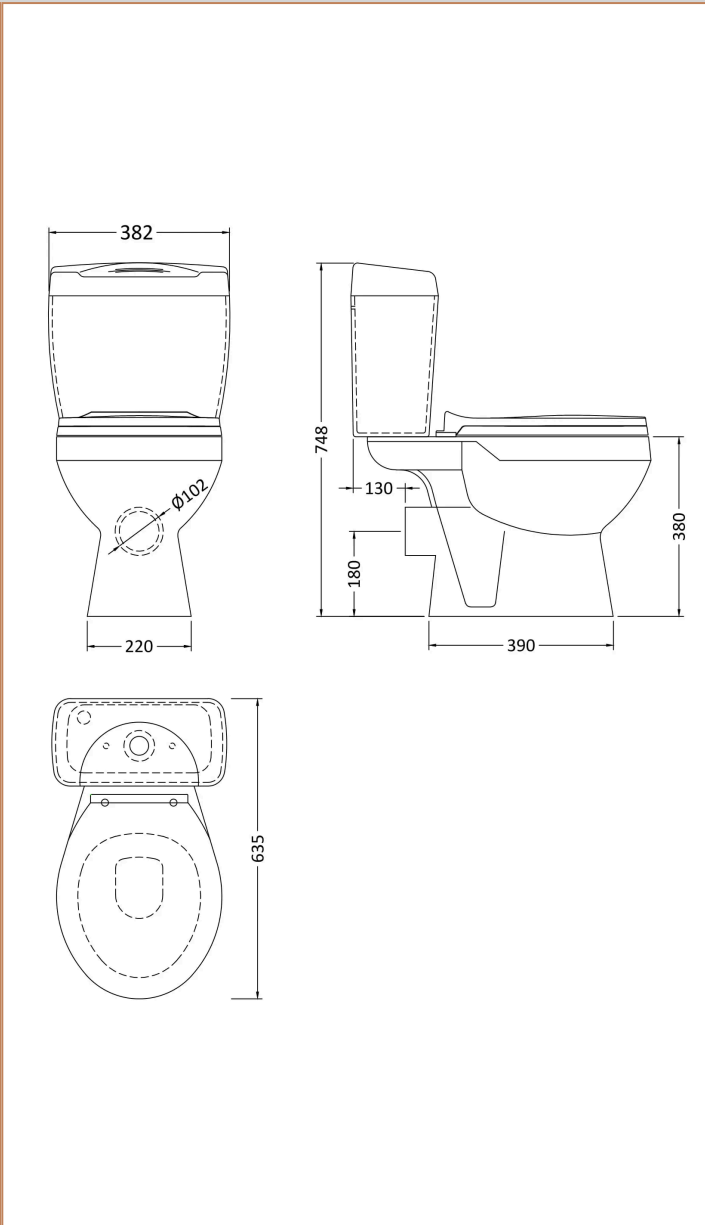
| | |
|-------------------------|--|
| Country of Origin | China |
| Product Material | Polypropylene, Stainless Steel, Vitreous China |
| Colour/Finish | White |
| Style | Contemporary |
| Bottle Trap Included | No |
| Cistern Fittings | Loose 6/3L |
| Cistern Lever Type | Plastic Chrome Plated |
| Flush Operating Type | Push Button |
| Includes Seat | Yes |
| Inner Bowl Depth | 170 mm |
| Inner Bowl Height | 170 mm |
| Inner Bowl Width | 555 mm |
| Maximum Projection | 595 mm |
| No. Of Tapholes | 1 |
| Number Of Bowls | 1 |
| Overflow Cover Included | No |
| Pan Trap Style | P-Trap |
| Pan Type | Open To Wall |
| Tap Included | No |
| Toilet Seat Function | Standard |
| Toilet Seat Hinge Type | Bottom & Top Fix |
| Toilet Seat Type | Round |
| Waste Included | No |

Sales Code: NCS150

Barcode: 5060272820121

Brand: nuie

Description: Melbourne Pan, Cistern & Seat



Product Dimensions

| | |
|-----------------|-------------------------------|
| Product | 748 x 382 x 635mm (H x W x D) |
| Packaged | 705 x 410 x 385mm (H x W x D) |
| Nett Weight | 24 kg |
| Packaged Weight | 26 kg |

Product Details

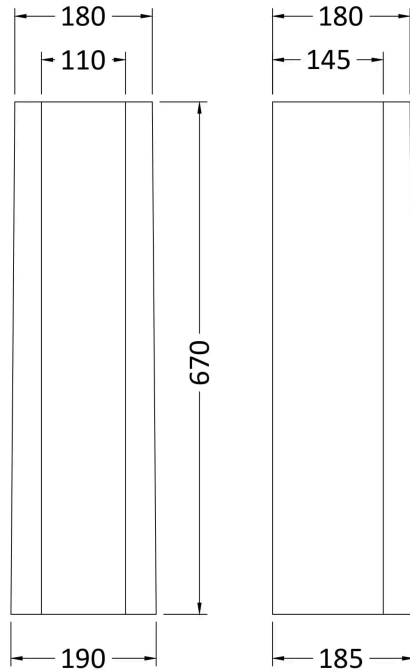
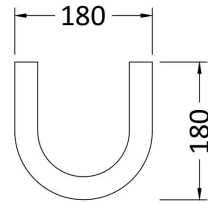
| | |
|-------------------|----------------|
| Country of Origin | China |
| Product Material | Vitreous China |
| Colour/Finish | White |
| Style | Contemporary |
| Includes Seat | Yes |
| Pan Type | Open To Wall |

Sales Code: NCS103

Barcode: 5060272820114

Brand: nuie

Description: Melbourne Full Pedestal



Product Dimensions

| | |
|-----------------|-------------------------------|
| Product | 670 x 180 x 180mm (H x W x D) |
| Packaged | 710 x 190 x 190mm (H x W x D) |
| Nett Weight | 11.5 kg |
| Packaged Weight | 11.7 kg |

Product Details

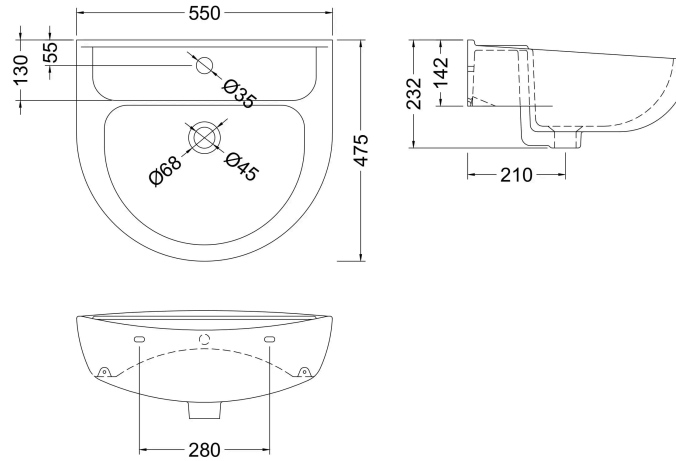
| | |
|-------------------|----------------|
| Country of Origin | China |
| Product Material | Vitreous China |
| Colour/Finish | White |

Sales Code: NCS102

Barcode: 5060272820107

Brand: nuie

Description: Melbourne Large Basin 1 Tap Hole



Product Dimensions

| | |
|-----------------|-------------------------------|
| Product | 232 x 550 x 475mm (H x W x D) |
| Packaged | 245 x 570 x 485mm (H x W x D) |
| Nett Weight | 12.5 kg |
| Packaged Weight | 12.7 kg |

Product Details

| | |
|-------------------|----------------|
| Country of Origin | China |
| Product Material | Vitreous China |
| Colour/Finish | White |
| Inner Bowl Height | 170 mm |
| No. Of Tapholes | 1 |
| Number Of Bowls | 1 |