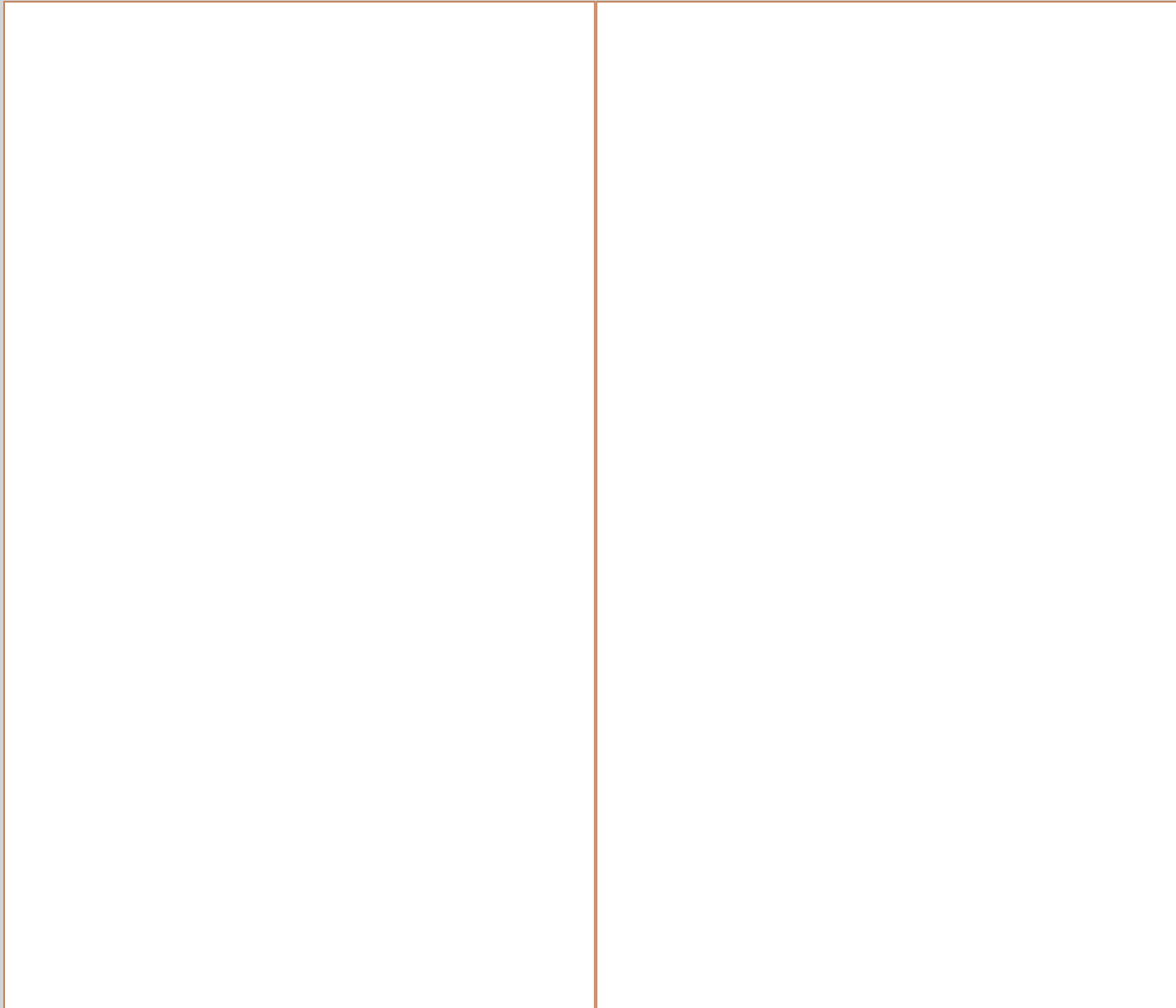


Sales Code:
ENZRE029

Barcode: 5056678409671

Brand: nuie

Description: Nuie Rene 980mm Framed Matt Black Left Hand Offset Quadrant Shower Enclosure With Tray



Product Dimensions

Product	1850 x 980 x 780mm (H x W x D)
Nett Weight	0.01 kg
Packaged Weight	0.01 kg

Product Details

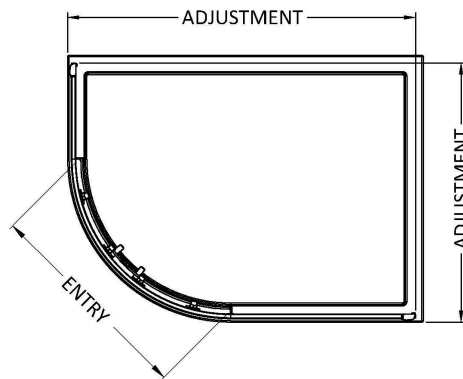
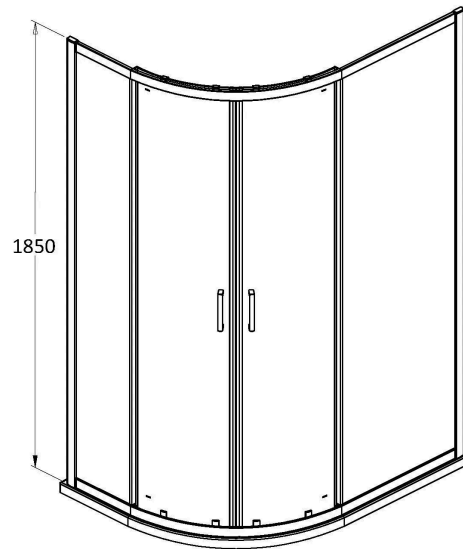
Country of Origin	China
Product Material	Aluminium
Colour/Finish	Matt Black
Style	Contemporary
Enclosure Design	Framed
Frame Finish	Matt Black
Glass Thickness	6 mm
Waste Included	Yes

Sales Code: SQU108BP

Barcode: 5056462643489

Brand: nuie

Description: Nuie Rene 980mm Framed Matt Black Offset Quadrant Shower Enclosure



Product Dimensions

Product	1850 x 980 x 780mm (H x W x D)
Packaged	1910 x 450 x 110mm (H x W x D)
Nett Weight	43.5 kg
Packaged Weight	45.5 kg

Packaging Details

Label Size (mm)	50 x 100
-----------------	----------

Product Details

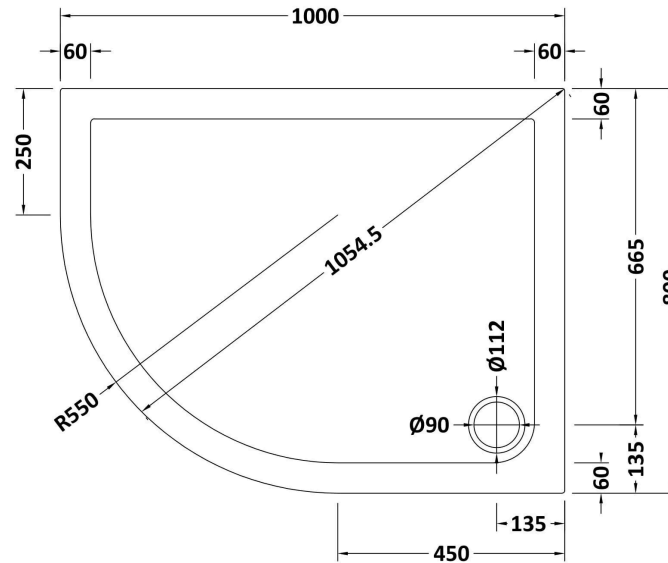
Country of Origin	China
Product Material	Abs,Aluminium
Colour/Finish	Matt Black
Style	Contemporary
Handle Type	Square T Shape
Fixings Included	Yes
Easy Clean	No
Adjustment Max	975/995
Adjustment Min	775/795
Ce Certified	No
Declaration Of Performance	Yes
Easy Fit	Yes
Enclosure Design	Framed
Entry Width	480 mm
Frame Finish	Matt Black
Glass Thickness	6 mm
Handles Included	Yes
No. Doors	2
Radius	538 mm
Support Bar Included	No
Ukca Certified	No
Wheel Type	Dual Quick Release

Sales Code: NTP108

Barcode: 5055369006113

Brand: nuie

Description: Offset Quadrant Slimline Shower Tray Left Hand 1000 x 800mm



Product Dimensions

Product	40 x 800 x 1000mm (H x W x L)
Packaged	80 x 840 x 1040mm (H x W x D)
Nett Weight	22.7 kg
Packaged Weight	23 kg

Product Details

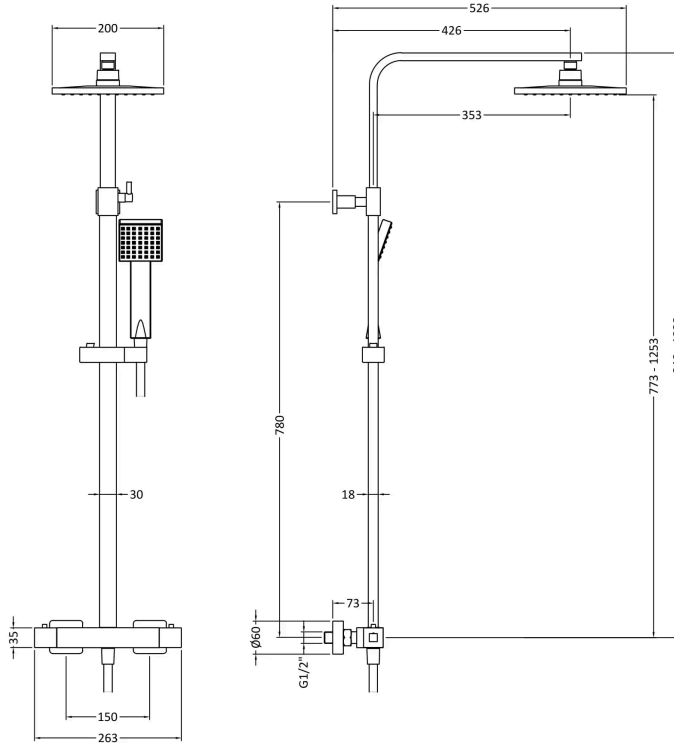
Country of Origin	United Kingdom
Product Material	Acrylic Capped Abs Caco3 And Pu
Colour/Finish	White
Style	Contemporary
Fixings Included	No
Leg Set Included	No
Legs Included	No
Raised Edge	Yes
Slip Resistant	No
Waste Included	No
Waste Size Required	90mm

Sales Code: JTY486

Barcode: 5056211897781

Brand: nuie

Description: Shower Kits Square Thermostatic Bar Valve & Shower Kit



Product Dimensions

Product	1200 x 200 x 465mm (H x W x D)
Packaged	85 x 405 x 845mm (H x W x D)
Nett Weight	4.75 kg
Packaged Weight	4.75 kg

Packaging Details

Label Size (mm)	50 x 100
Label Colour	White
Label Qty	2.0000

Product Details

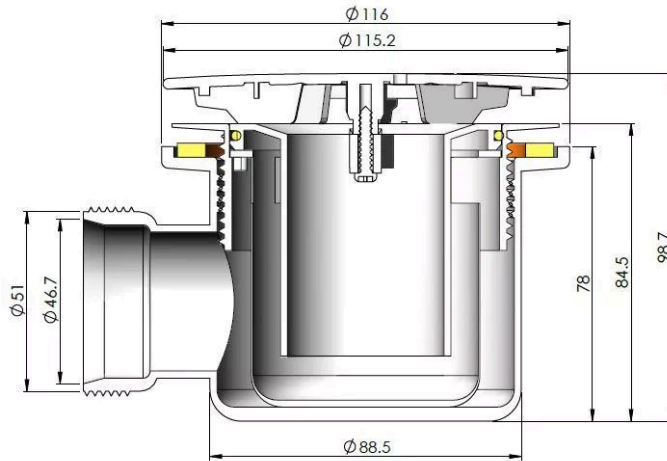
Country of Origin	China
Product Material	Brass Abs
Control Type	Manual
WRAS Approved	Yes
Valve/Cartridge Type	1/4 Turn
Colour/Finish	Matt Black
Mount Type	Surface/Wall
Style	Contemporary
Handle Type	Square
Easy Clean	Yes
TMV2 Approved	Yes
TMV3 Approved	No
Pipe Centres	150
Handset Included	Yes
Head Included	Yes
Hose Included	Yes
Hose Length	1500 mm
Min Operating Pressure	1 Bar
Minimum Operation Pressure	1 Bar
No. Outlets	2.0000
Outlet Elbow Supplied	No
Tmv2 Approval Number	2310177
Valve / Cartridge Type	1/4 Turn
Wras Approval No	2307019

Sales Code: STW002

Barcode: 5056211884576

Brand: nuie

Description: Nuie 90mm Matt Black Fast Flow Shower Tray Waste



Product Dimensions

Product	99 x 116 x 116mm (H x W x D)
Packaged	100 x 135 x 170mm (H x W x D)
Nett Weight	0.31 kg
Packaged Weight	0.37 kg

Product Details

Country of Origin	United Kingdom
Product Material	Polypropylene
Waste Type	Fast Flow
Colour/Finish	Matt Black
Style	Contemporary
Waste Shape	Round