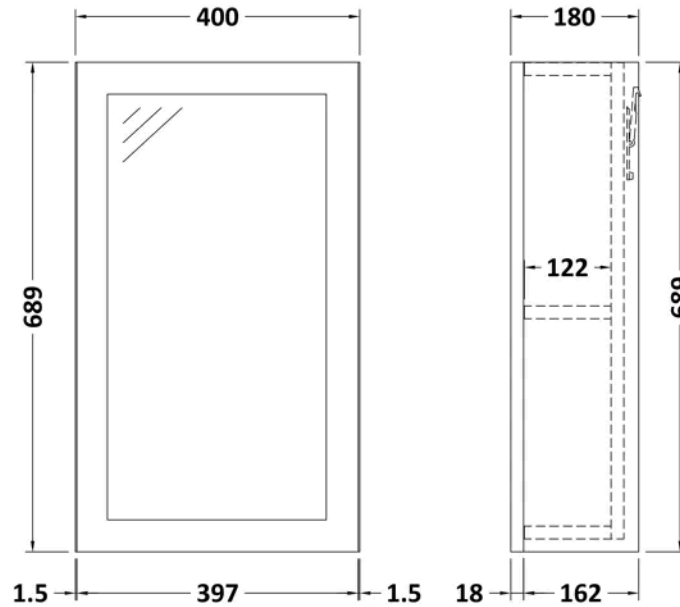
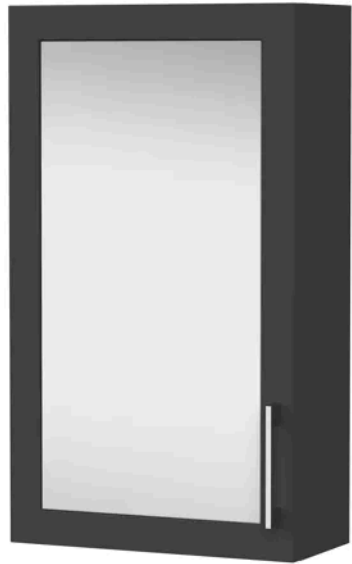


Sales Code: FFH1415

Barcode: 5056817716240

Brand: nuie Lux

Description: nuie lux Fable 400mm Soft Black Wall Hung Cabinet



Product Dimensions

Product	689 x 400 x 162mm (H x W x D)
Packaged	1 x 0 x 725mm (H x W x D)
Nett Weight	11.5 kg
Packaged Weight	12 kg

Product Details

Country of Origin	United Kingdom
Product Material	Mfc Smooth Matt
Colour/Finish	Soft Black
Mount Type	Wall Hung
Style	Traditional
Construction Method	Cam & Wood Dowel
Ce Certified	Yes
Construction Type	Rigid
Fsc Certified	Yes
Handles Included	No
Leg Set Included	No
Legs Included	No
Material Thickness	18 mm
No. Doors	1
No. Shelves	1
Number Of Shelves	1