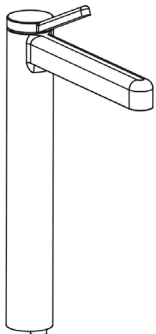


# Madox Tall Basin Mixer

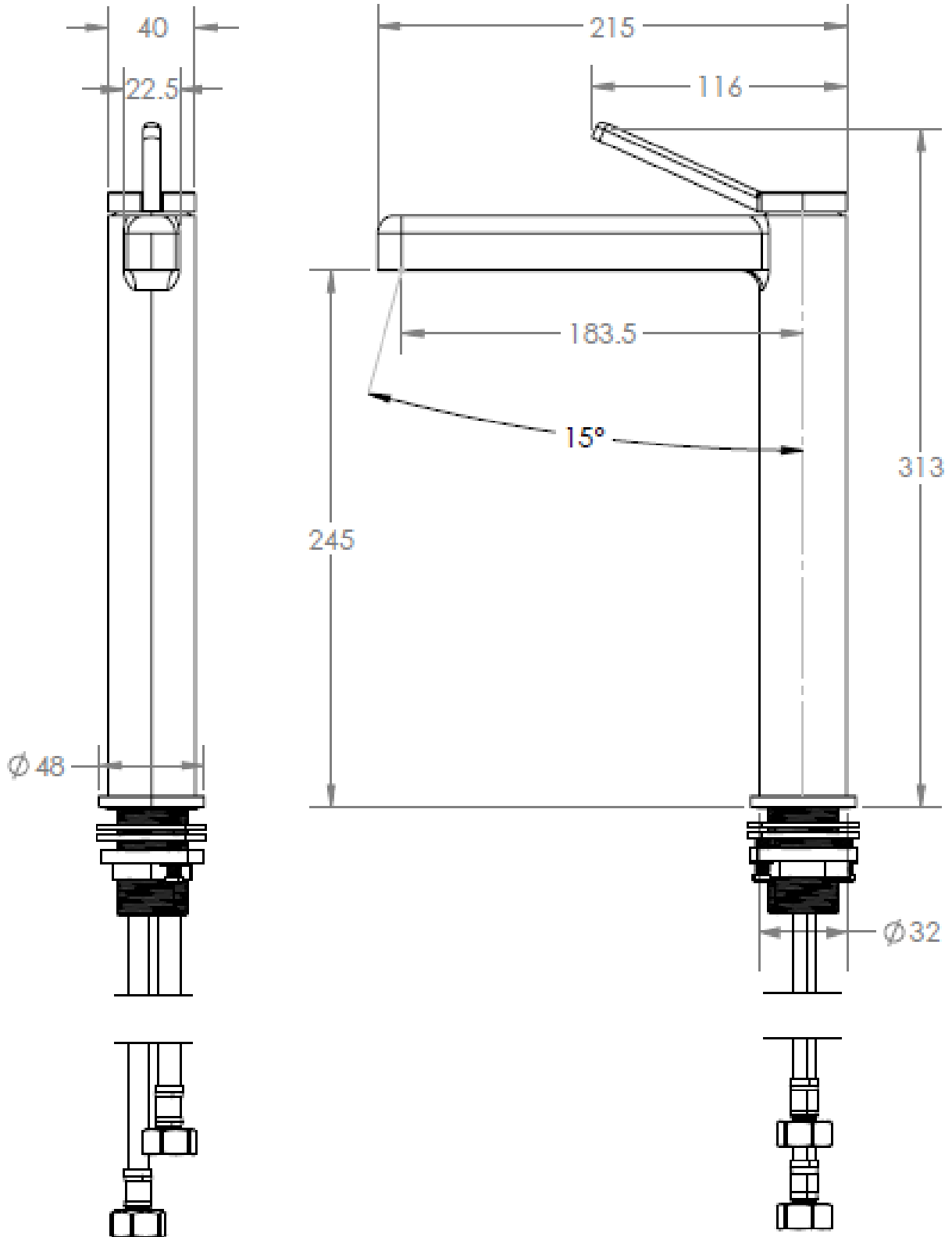
## Technical Data

	Product(s)	Madox Tall Basin Mixer
	Article Number(s)	Madox Tall Chrome: N0TAP03MAD Madox Tall Matt Black: N1TAP03MAD Madox Tall Brushed Brass: N2TAP03MAD Madox Tall Gunmetal: N3TAP03MAD Madox Tall Brushed Bronze: N4TAP03MAD
	Product Description	Single lever tall mixer with finishes

Technical Data	
Suitable water pressure	0.5-10 BAR
Material	H59 Brass
Finish Type	Chrome/ Matt Black/ Brushed Brass/ Gunmetal/ Brushed Bronze
Cartridge	Sedal WRAS ceramic cartridge for basin mixer
Aerator	Nerporl
Fitting	On basin/ countertop
Operation	Single lever
Features	N/A
Waste included?	No
Spout projection	183.5mm
Standards	BS6920, BS EN200
Additional information	N/A
How long is the warranty?	Cartridge: 5 Years    Everything Else: 10 Years

**HiB recommend you receive the product before commencing with installation as all sizes and measurements are approximate. HiB try and ensure all measurements are as accurate as possible. In the interest of continuous product development, HiB reserves the right to alter specification as necessary. E & OE.**

Madox Tall Basin Mixer  
Technical Drawing



HiB recommend you receive the product before commencing with installation as all sizes and measurements are approximate.  
HiB try and ensure all measurements are as accurate as possible.  
In the interest of continuous product development, HiB reserves the right to alter specification as necessary. E & OE.