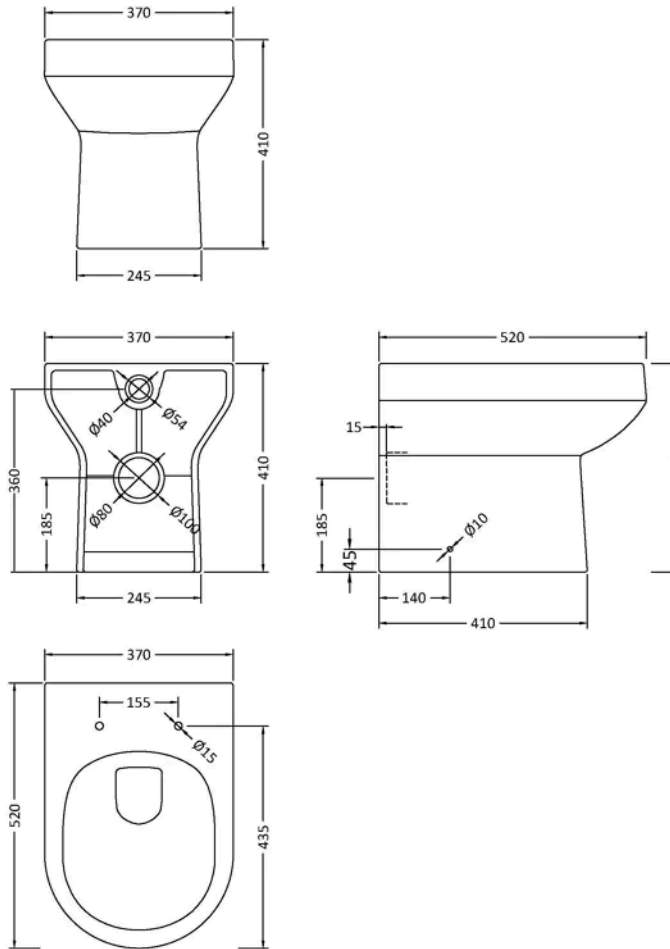


Sales Code: NCH606

Barcode: 5055369030897

Brand: nuie

Description: nuie Harmony Back to Wall Toilet Pan



Product Dimensions

Product	410 x 370 x 520mm (H x W x D)
Packaged	408 x 375 x 530mm (H x W x D)
Nett Weight	24.5 kg
Packaged Weight	25 kg

Product Details

Country of Origin	China
Product Material	Vitreous China
Colour/Finish	White
Style	Contemporary
Ce Certified	Yes
Includes Seat	No
Pan Trap Style	P-Trap
Pan Type	Back To Wall