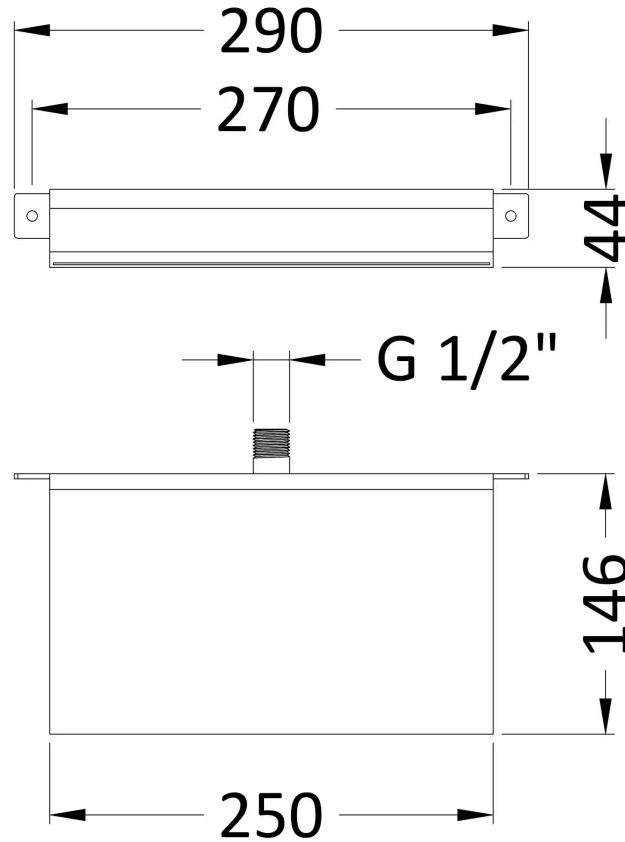


**Sales Code:** PN300

**Barcode:** 5055369025343

**Brand:** nuie

**Description:** Astra Bath Filler



### Product Dimensions

Product	30 x 290 x 146mm (H x W x D)
Packaged	75 x 255 x 340mm (H x W x D)
Nett Weight	2.4 kg
Packaged Weight	2.6 kg

### Packaging Details

Label Size (mm)	50 x 100
Label Colour	White
Label Qty	2.0000

### Product Details

Country of Origin	China
Product Material	Brass
WRAS Approved	No
Colour/Finish	Chrome
Mount Type	Surface/Wall
Style	Contemporary
Handle Type	Handleless
TMV2 Approved	No
TMV3 Approved	No
Handset Included	No
Min Operating Pressure	0.5 Bar
Minimum Operation Pressure	1 Bar
Waste Included	No