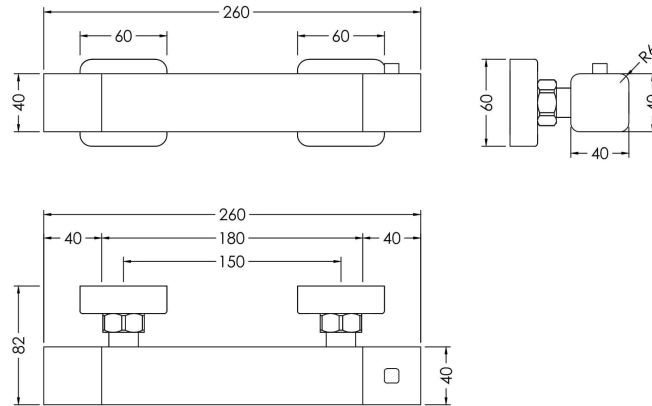
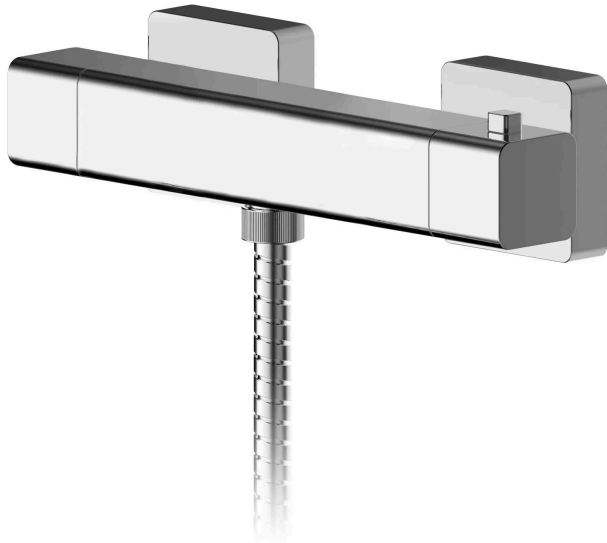


**Sales Code:** WIN503

**Barcode:** 5056211898375

**Brand:** nuie

**Description:** Windon Thermostatic Bar Valve



### Product Dimensions

Product	55 x 261 x 65mm (H x W x D)
Packaged	80 x 355 x 82mm (H x W x D)
Outer Box	440 x 420 x 360mm (H x W x D)
Nett Weight	1.71 kg
Packaged Weight	1.71 kg

### Packaging Details

Label Size (mm)	50 x 100
Label Colour	White
Label Qty	1.0000

### Product Details

Country of Origin	China
Product Material	Brass Abs
Control Type	Manual
WRAS Approved	No
Valve/Cartridge Type	1/4 Turn
Colour/Finish	Chrome
Mount Type	Wall Hung
Style	Contemporary
Handle Type	Square
TMV2 Approved	No
TMV3 Approved	No
Pipe Centres	150
Handset Included	No
Head Included	No
Hose Included	No
Min Operating Pressure	0.2 Bar
Minimum Operation Pressure	0 Bar
No. Outlets	1.0000
Valve / Cartridge Type	1/4 Turn