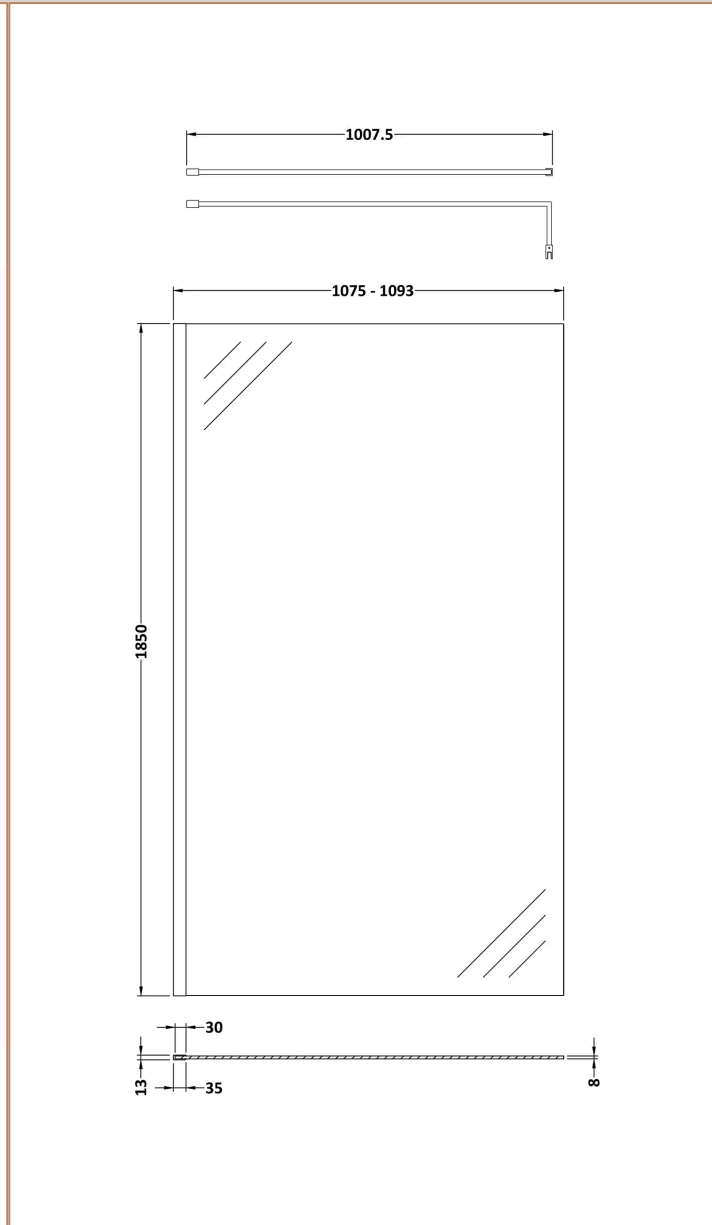
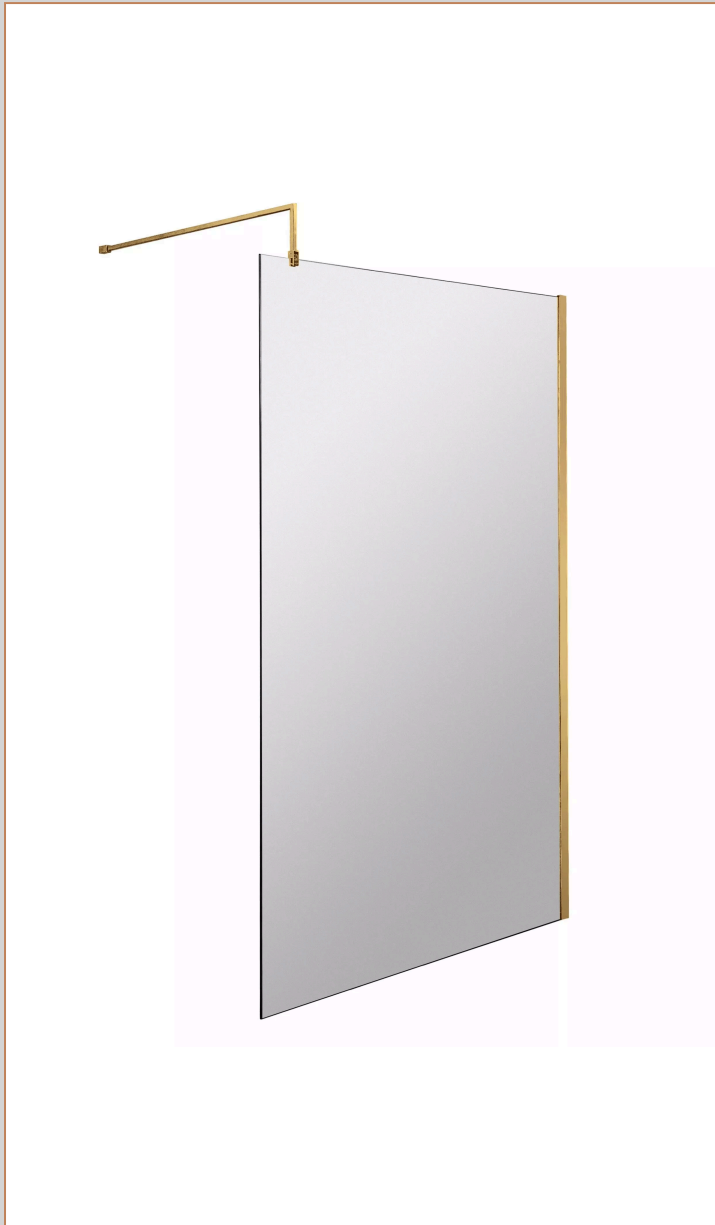


Sales Code: WRSCBB011

Barcode: 5056462618067

Brand: nuie

Description: Nuie 1100mm Brushed Brass Wetroom Screen With Support Bar and Profile Kit



Product Dimensions

| | |
|-----------------|--------------------------------|
| Product | 1850 x 1100 x 14mm (H x W x D) |
| Nett Weight | 46 kg |
| Packaged Weight | 46 kg |

Product Details

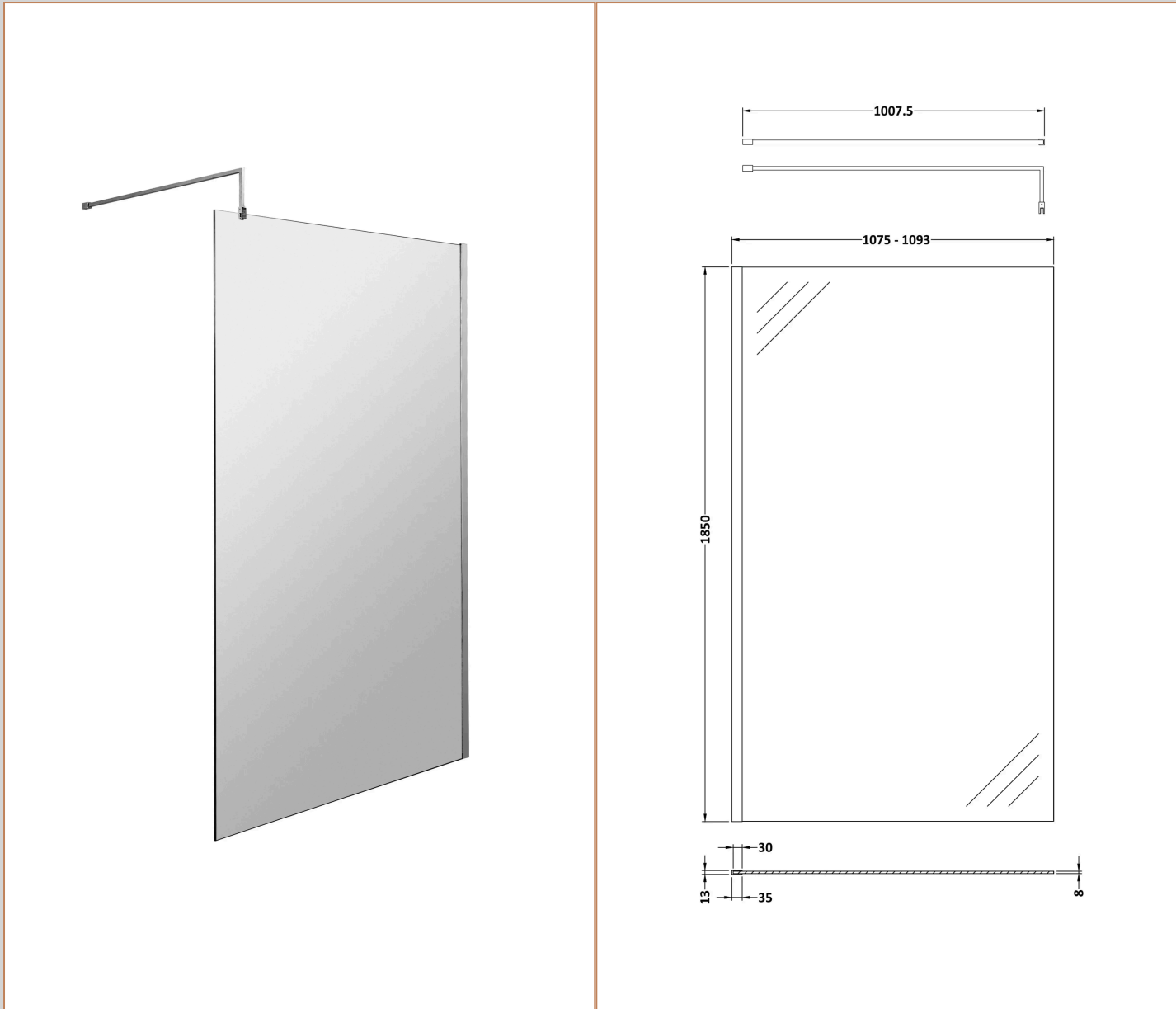
| | |
|----------------------------|----------------|
| Country of Origin | China |
| Product Material | Aluminium |
| Colour/Finish | Brushed Brass |
| Style | Contemporary |
| Easy Clean | No |
| Adjustment Max | 1093 |
| Adjustment Min | 1075 |
| Ce Certified | Yes |
| Declaration Of Performance | Yes |
| Easy Fit | No |
| Enclosure Design | Semi-Frameless |
| Frame Finish | Brushed Brass |
| Glass Thickness | 8 mm |
| Handles Included | No |
| Ukca Certified | Yes |

Sales Code: WRSC11

Barcode: 5055275831748

Brand: nuie

Description: 1100mm Wetroom Screen & Support Bar



Product Dimensions

| | |
|-----------------|--------------------------------|
| Product | 1850 x 1100 x 14mm (H x W x D) |
| Packaged | 60 x 1150 x 1920mm (H x W x D) |
| Nett Weight | 46 kg |
| Packaged Weight | 46 kg |

Packaging Details

| | |
|-----------------|----------|
| Label Size (mm) | 50 x 100 |
|-----------------|----------|

Product Details

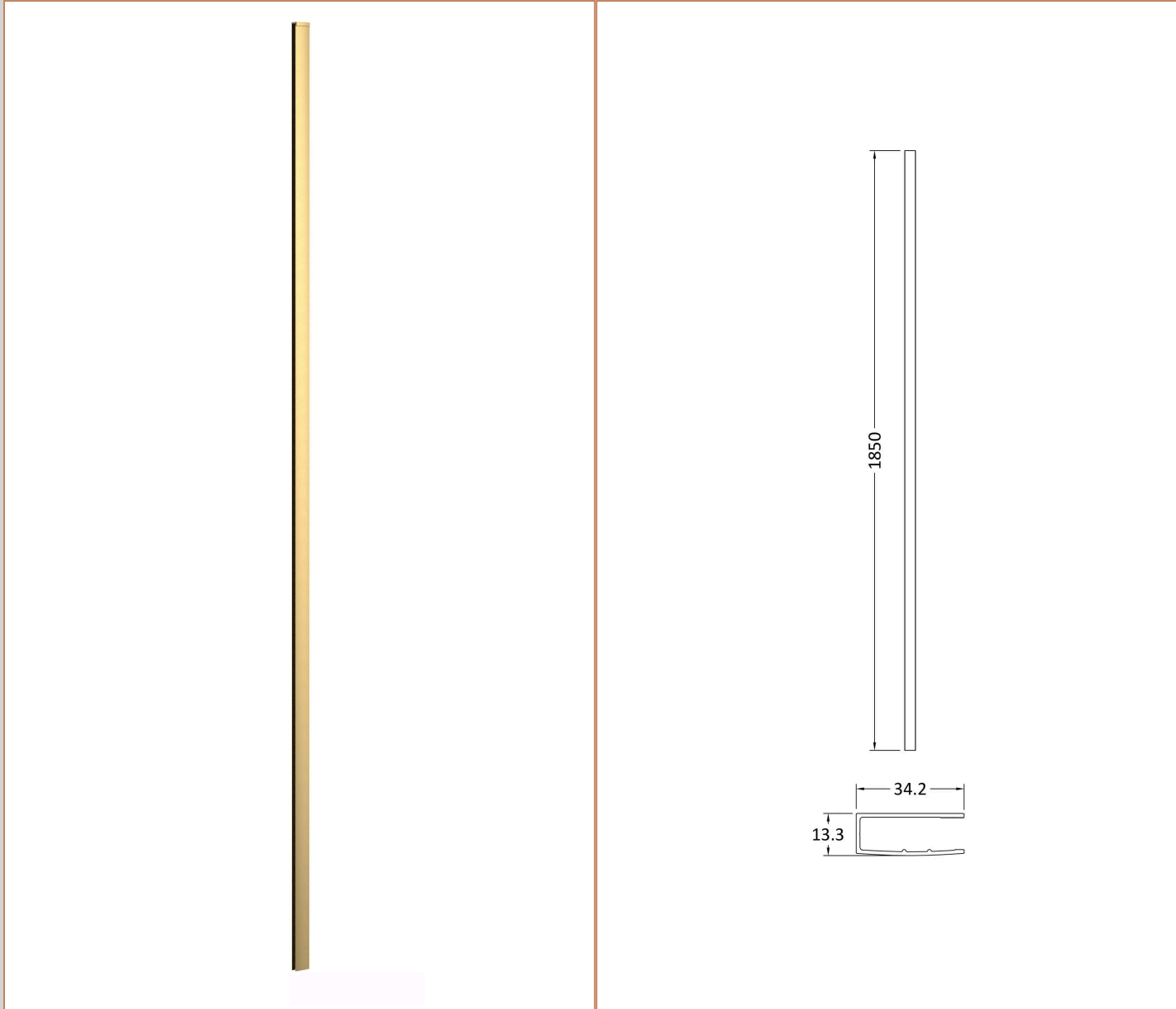
| | |
|----------------------------|----------------|
| Country of Origin | China |
| Product Material | Aluminium |
| Colour/Finish | Chrome |
| Style | Contemporary |
| Fixings Included | Yes |
| Easy Clean | No |
| Adjustment Max | 1093 |
| Adjustment Min | 1075 |
| Ce Certified | Yes |
| Declaration Of Performance | Yes |
| Easy Fit | No |
| Enclosure Design | Semi-Frameless |
| Frame Finish | Chrome |
| Glass Thickness | 8 mm |
| Handles Included | No |
| Support Bar Included | Yes |
| Ukca Certified | Yes |

Sales Code: WRSF013

Barcode: 5056462611846

Brand: nuie

Description: Wetroom Wall Channel 1850mm



Product Dimensions

| | |
|-----------------|-------------------------------|
| Product | 60 x 185 x 1860mm (H x W x D) |
| Packaged | 60 x 185 x 1860mm (H x W x D) |
| Nett Weight | 0.6 kg |
| Packaged Weight | 0.6 kg |

Product Details

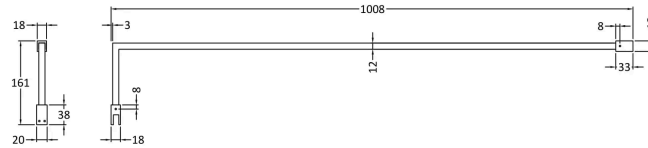
| | |
|------------------|-----------|
| Product Material | Aluminium |
|------------------|-----------|

Sales Code: FIX025

Barcode: 5056462611884

Brand: nuie

Description: Wetroom Screen Support Arm Brushed Brass



Product Dimensions

| | |
|-----------------|-------------------------------|
| Product | 15 x 150 x 1000mm (H x W x D) |
| Packaged | 35 x 160 x 1020mm (H x W x D) |
| Nett Weight | 0.67 kg |
| Packaged Weight | 0.7 kg |

Product Details

| | |
|-------------------|-----------------|
| Country of Origin | China |
| Product Material | Stainless Steel |
| Colour/Finish | Brushed Brass |
| Style | Contemporary |