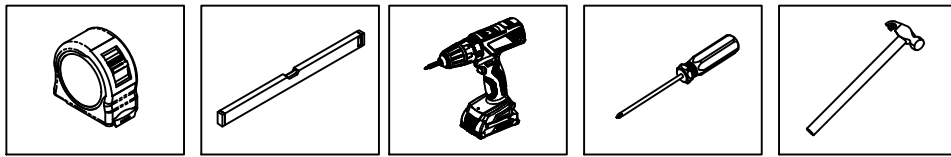
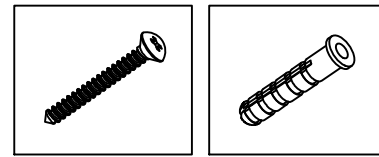


# GENERAL FITTING GUIDE - UNLIT MIRRORS

## TOOLS REQUIRED

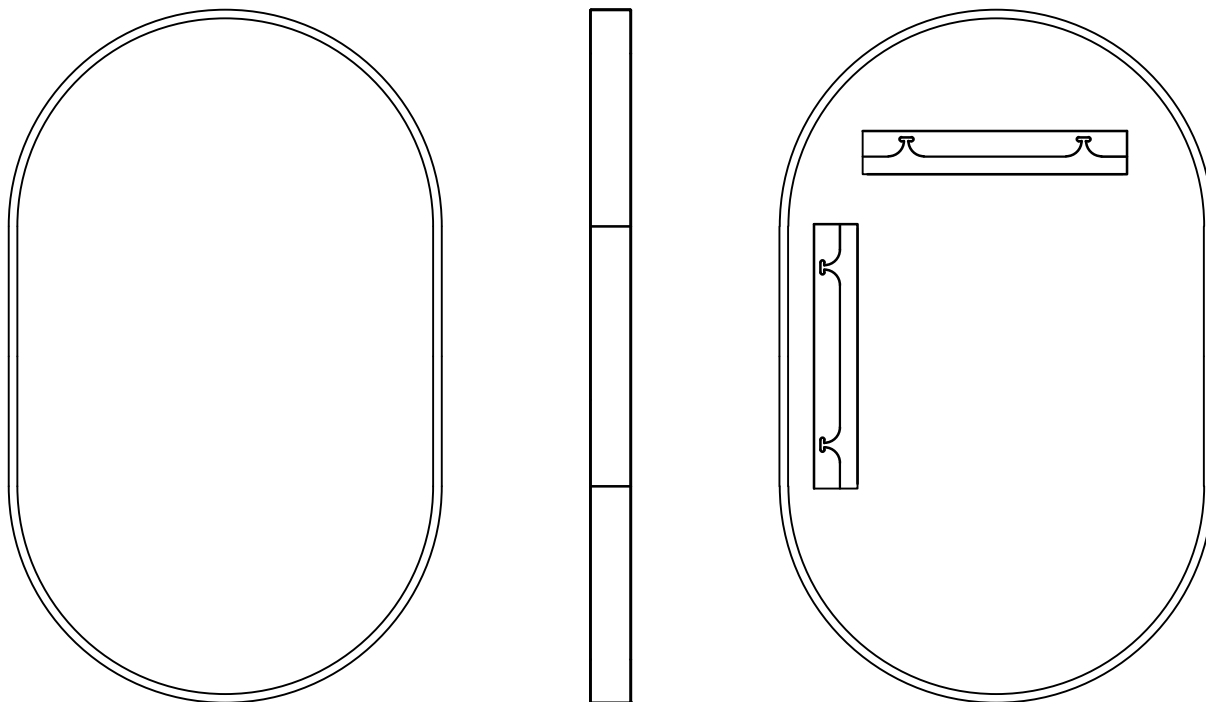


## FIXINGS



(Suitable for typical brick wall installation)

PRODUCT SHOWN WILL VARY  
DEPENDING ON MODEL



### STEP 1

Select whether the Mirror is to be hung Portrait or Landscape.  
Measure the distance between the two slots on the reverse of the Mirror.  
On the wall, mark the positions for wall plugs ensuring the holes are level.

### STEP 2

Before drilling the wall, ensure that the fixings provided are suitable for your wall type.  
You may need to use alternative fixings (not supplied).  
Using a suitable drill bit, drill the wall for wall plugs.

### STEP 3

Fit the wall plugs into the wall.  
Fit the screws, leaving exposure of 8-12mm to allow the Mirror to be hung.

