

Francis Chrome Traditional

Barcode	5055146122364
Product Code	X363
Finishes	Chrome
Product Type	Bath Filler
Water Pressure	LP1 - 0.1 bar pressure minimum
Standards	Complies with BS5412, EN200



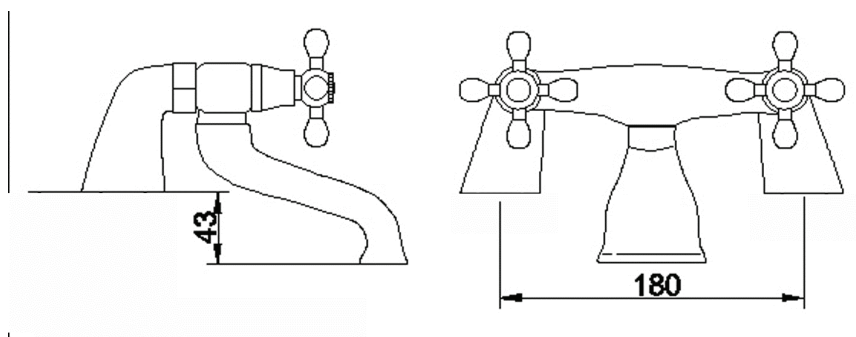
Flowrates

Bar	Flow l/min
0.1	9
0.5	31
1	42
1.5 max	50

Requirement Suitable for all plumbing systems

Guarantee & Aftercare

During installation extra care must be taken to avoid damaging the fittings. We provide a 10 year guarantee against faulty workmanship or materials (excluding serviceable parts), providing they have been installed, cared for and used in accordance with our instructions.



COMPLIANCE: Pending

CUSTOMER CARE:

For further information please call 0844 504 4499

KEY TO PRODUCT PRESSURE REQUIREMENTS

LP - 0.1 bar min

LP2 - 0.2 bar min

MP - 0.5 bar min

HP1 - 1 bar min

HP2 - 2 bar min