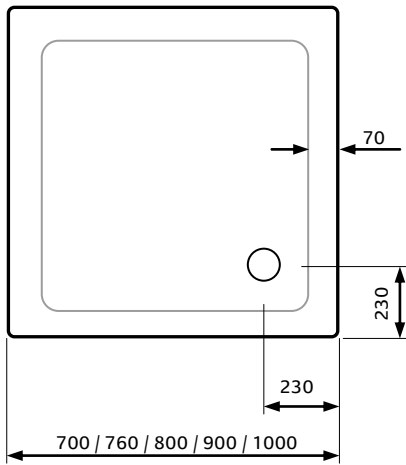


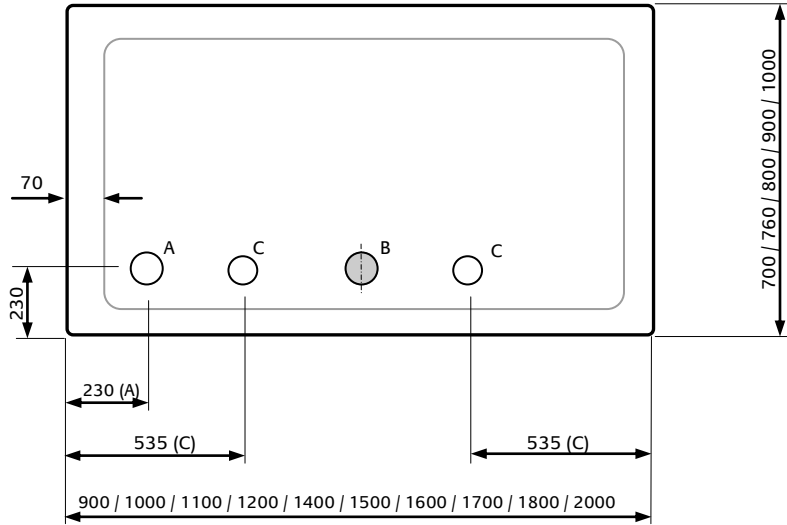
# Lakes Contemporary Lightweight Trays.

Low Profile (40mm) ABS capped reinforced resin.

## Square

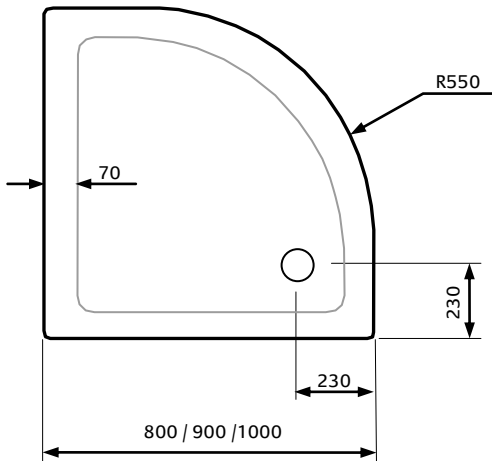


## Rectangular

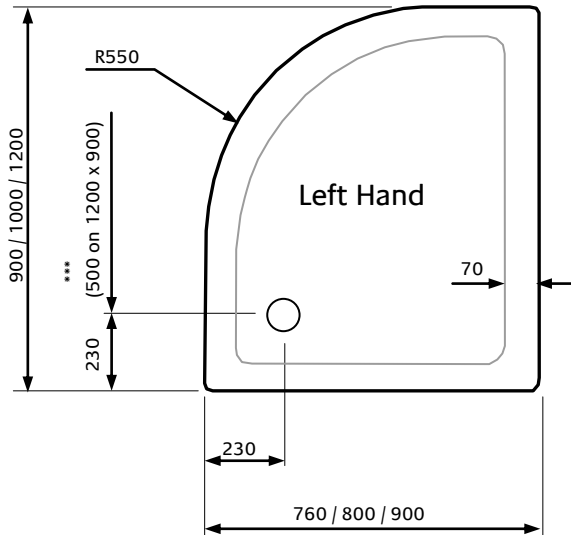
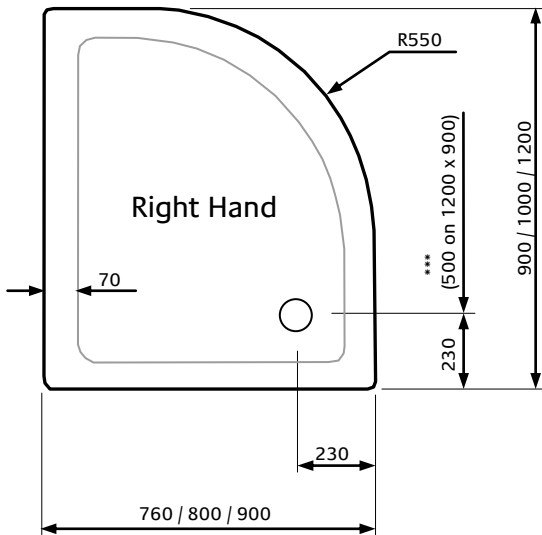


Note : Waste position options—A,B,C (see table).

## Quadrant

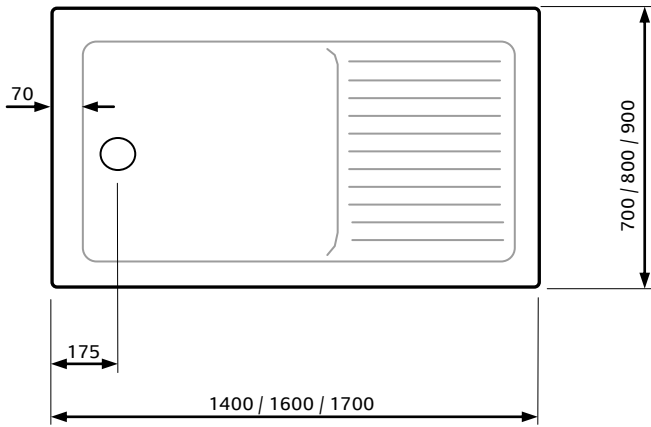


## Offset Quadrant

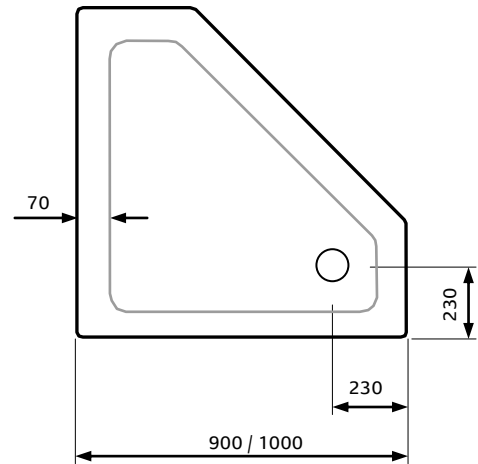


# Lakes Contemporary Lightweight Trays. Continued

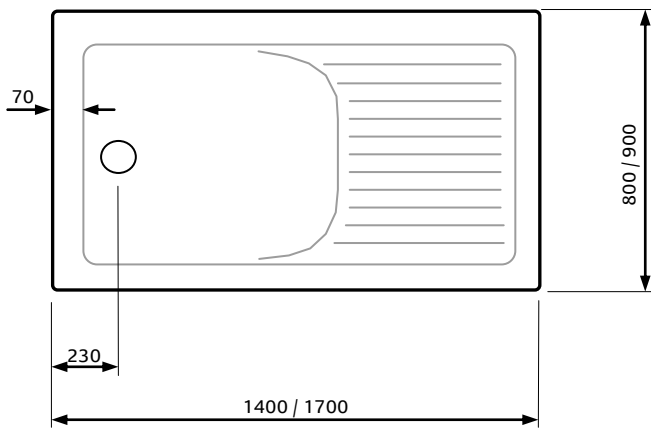
Rectangular Walk In (Square Drying Area)



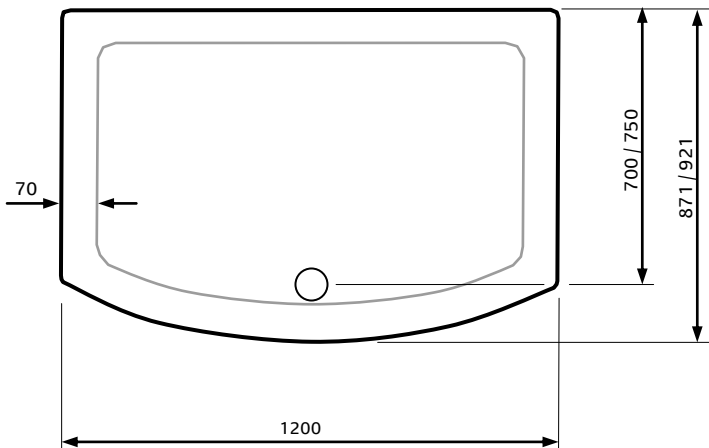
Pentagon



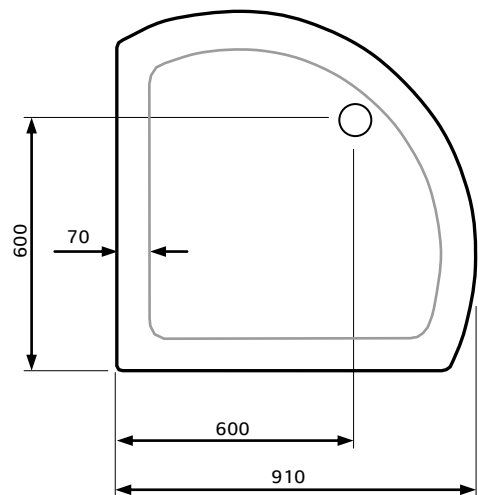
Rectangular Walk In (Curved Drying Area)



Bowfront Slider



Curved Corner Slider



# Lakes Contemporary Lightweight Tray Data

Tray Type	Product Code	Size (mm)	Material / Remarks	Legs & Panel Kit	Weight (kg)
SQUARE	LKTS77	700 x 700	ABS capped reinforced polyurethane resin. 90mm Waste	LKT EP KIT 1	7
	LKTS7676	760 x 760			8.5
	LKTS88	800 x 800			9.5
	LKTS99	900 x 900			11.5
	LKTS11	1000 x 1000			13.5
RECTANGULAR	LKTR9076	900 x 760	ABS capped reinforced polyurethane resin. 90mm Waste ~ Position A (single corner).	LKT EP KIT 1	7.6
	LKTR9080	900 x 800			8
	LKTR7010	1000 x 700			8
	LKTR7610	1000 x 760			8.5
	LKTR8010	1000 x 800			9
	LKTR9010	1000 x 900			9.5
	LKTR7011	1100 x 700			9
	LKTR7611	1100 x 760			9.3
	LKTR8011	1100 x 800			10
	LKTR9011	1100 x 900			11
	LKTR7012	1200 x 700			9.5
	LKTR7612	1200 x 760			10
	RECTANGULAR	LKTR8012			1200 x 800
LKTR9012		1200 x 900	11.5		
LKTR1012		1200 x 1000	12.5		
LKTR8014		1400 x 800	12		
LKTR9014		1400 x 900	14		
LKTR7015		1500 x 700	12		
LKTR7615		1500 x 760	12.2		
LKTR8015		1500 x 800	12.5		
LKTR7016		1600 x 700	13		
LKTR8016		1600 x 800	13.5		
LKTR9016		1600 x 900	16		
LKTR7017		1700 x 700	13.5		
LKTR7617		1700 x 760	14		
LKTR8017		1700 x 800	15		
LKTR9017		1700 x 900	17		
LKTR1017		1700 x 1000	18		
LKTR8018		1800 x 800	Not Suitable for raised installation	17	
LKTR9018		1800 x 900		17	
LKTR1018	1800 x 1000	20			
RECTANGULAR	LKTR8020	2000 x 800	ABS capped reinforced polyurethane resin. 2x 90mm Waste ~ Positions C.	LKT EP KIT 1	18
	LKTR9020	2000 x 900			20
	LKTR1020	2000 x 1000			22

## Lakes Contemporary Lightweight Tray Data

Tray Type	Product Code	Size (mm)	Material / Remarks	Legs & Panel Kit	Weight (kg)
QUADRANT	LKTQ88	800 x 800	ABS capped reinforced polyurethane resin. 90mm Waste	LKT EP KIT 2	8.5
	LKTQ99	900 x 900			10
	LKTQ11	1000 x 1000			12.5
OFFSET QUADRANT	LKTQ9076L	900 x 760	ABS capped reinforced polyurethane resin. 90mm Waste (230x 230 corner waste position)	LKT EP KIT 3	8.5
	LKTQ9076R				
	LKTQ9080L	900 x 800			9
	LKTQ9080R				
	LKTQ8010L	1000 x 800			10
	LKTQ8010R				
	LKTQ8012L	1200 x 800			13
	LKTQ8012R				
	LKTQ9012L	1200 x 900			ABS capped reinforced polyurethane resin. 90mm Waste (500 x 230 edge waste position ***)
LKTQ9012R					
RECTANGULAR Walk In (Square form)	LKTW9014	1400 x 900	ABS capped reinforced polyurethane resin. 90mm Waste	LKT EP KIT 1	18
	LKTW8016	1600 x 800			18
	LKTW8017	1700 x 800			18.5
RECTANGULAR Walk In (Curved form)	LKTWC9014	1400 x 900			18
	LKTWC8017	1700 x 800			20
PENTAGON	LKTP99	900 x 900	ABS capped reinforced polyurethane resin. 90mm Waste	LKT EP KIT 4	10.5
	LKTP11	1000 x 1000			11

### Bespoke (40mm) Reinforced Resin Trays

BOWFRONT SLIDER	LKTBF700	1200 x 871	ABS capped reinforced polyurethane resin. 90mm Waste	LKT EP KIT 6	10.5
	LKTBF750	1200 x 921			11.5
CURVED CORNER SLIDER	LKTSDQ900	910 x 910	ABS capped reinforced polyurethane resin. 90mm Waste	LKT EP KIT 5	8

## Easy Plumb Kits for Reinforced Resin Trays (nominally 100mm tall)

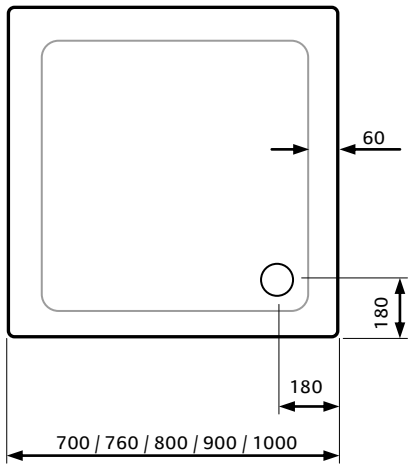
Comprising ALL legs, panels & fixings.

Order Code	Description
LKT EP KIT 1	Square / Rectangular (1700 x 1000mm)
LKT EP KIT 2	Quadrant (1000mm)
LKT EP KIT 3	Offset Quadrant (1200mm)
LKT EP KIT 4	Pentagon (1000mm)

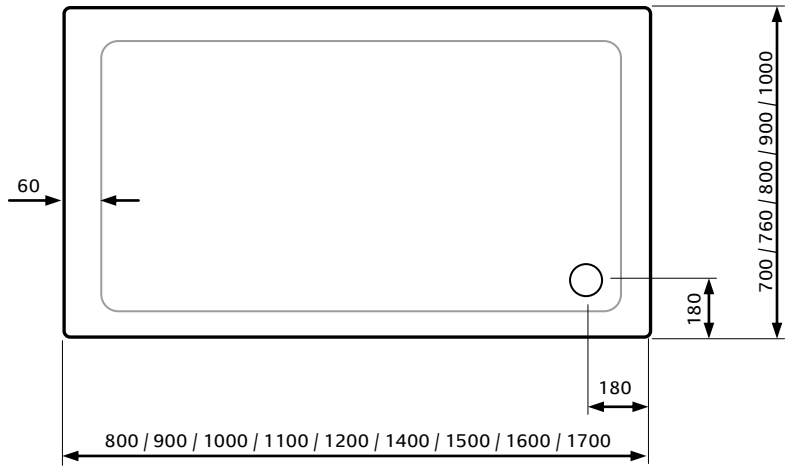
# Lakes Traditional Stone Resin Trays.

Standard Height (80mm) ABS capped stone resin.

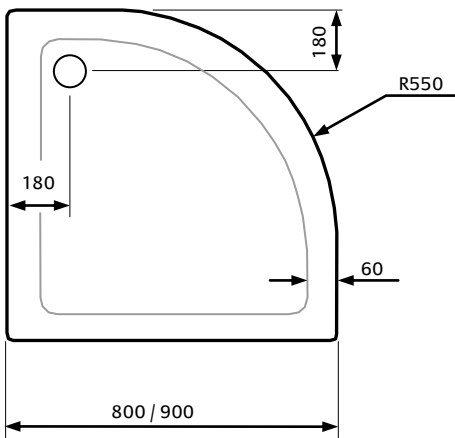
Square



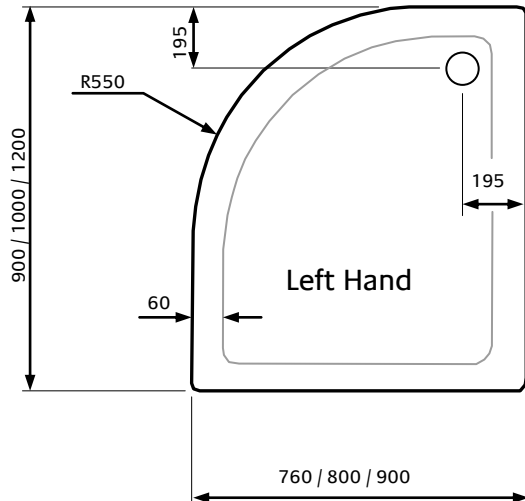
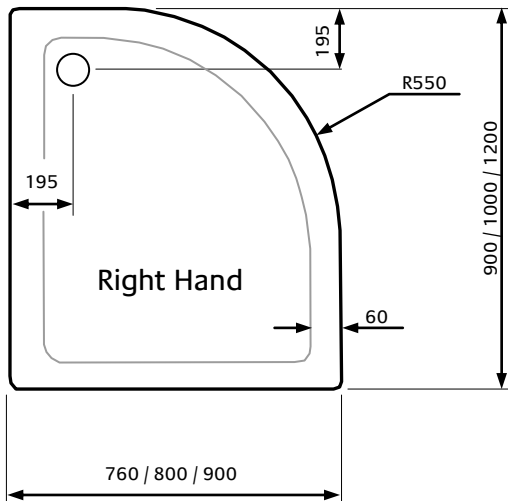
Rectangular



Quadrant



Offset Quadrant



## Lakes Traditional Stone Resin Tray Data—Standard Height (80mm)

Tray Type	Product Code	Size (mm)	Material / Remarks	Legs & Panel Kit	Weight (kg)
SQUARE	ZZTS77	700 x 700	ABS capped stone resin. 50mm Waste	AZT EP KIT SR12	22.5
	ZZTS7676	760 x 760			29
	ZZTS88	800 x 800			30
	ZZTS99	900 x 900			36
	ZZTS11	1000 x 1000		AZT EP KIT SR17	44

RECTANGULAR	ZZTR7080	800 x 700	ABS capped stone resin. 50mm Waste	AZT EP KIT SR12	24
	ZZTR7090	900 x 700			31.5
	ZZTR9076	900 x 760			32
	ZZTR9080	900 x 800			34
	ZZTR7010	1000 x 700			37
	ZZTR7610	1000 x 760			38
	ZZTR8010	1000 x 800			38
	ZZTR9010	1000 x 900			38
	ZZTR7011	1100 x 700			38
	ZZTR7611	1100 x 760			40
	ZZTR8011	1100 x 800			40
	ZZTR7012	1200 x 700			42
	ZZTR7612	1200 x 760			46.5
	ZZTR8012	1200 x 800			48.5
	ZZTR9012	1200 x 900		52.5	
	ZZTR1012	1200 x 1000		AZT EP KIT SR17	66
	ZZTR8014	1400 x 800		55	
	ZZTR9014	1400 x 900		66	
	ZZTR7615	1500 x 760		60	
ZZTR8016	1600 x 800	65			
ZZTR7017	1700 x 700	65			

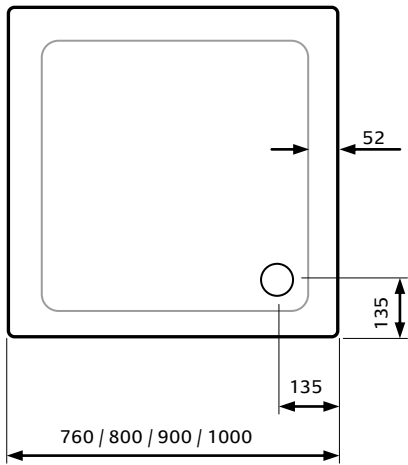
QUADRANT	ZZTQ88	800 x 800	ABS capped stone resin. 50mm Waste	AZT EP KIT Q10	28
	ZZTQ99	900 x 900			34

OFFSET QUADRANT	ZZTQ9076L	900 x 760	ABS capped stone resin. 50mm Waste	AZT EP KIT Q12	30
	ZZTQ9076R				
	ZZTQ9080L	900 x 800			31
	ZZTQ9080R				
	ZZTQ8010L	1000 x 800			38
	ZZTQ8010R				
	ZZTQ8012L	1200 x 800			44
	ZZTQ8012R				
	ZZTQ9012L	1200 x 900			52
ZZTQ9012R					

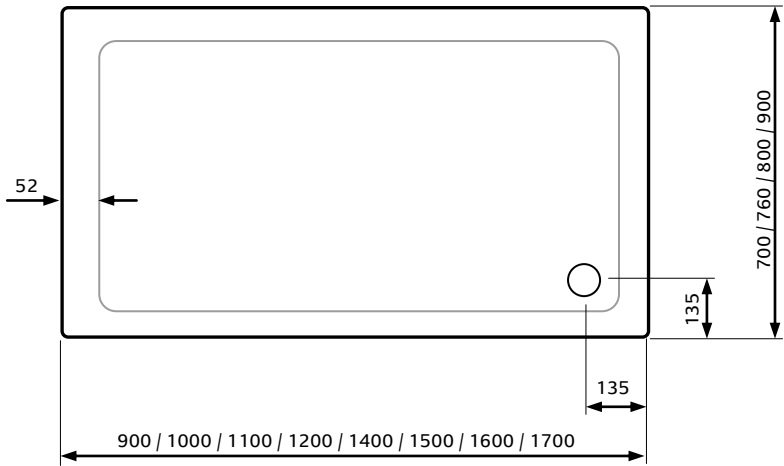
# Lakes Traditional Stone Resin Trays.

Low Profile (45mm) ABS capped stone resin.

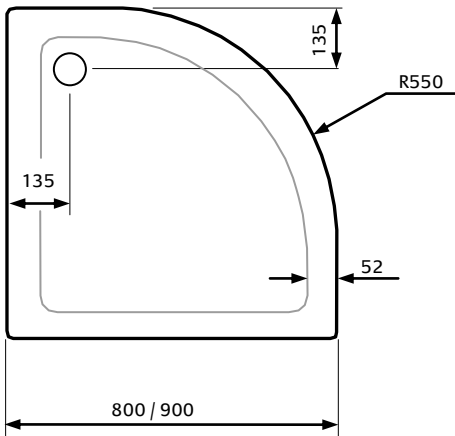
Square



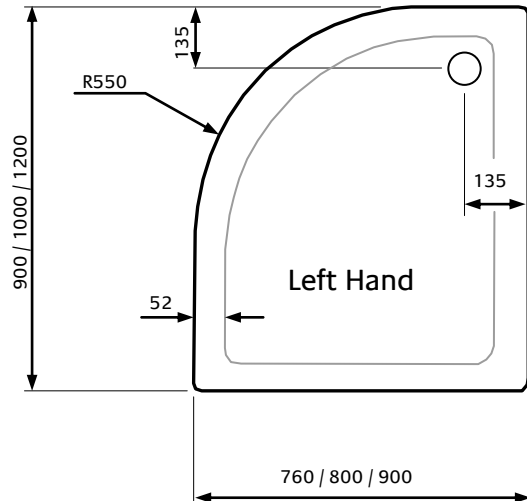
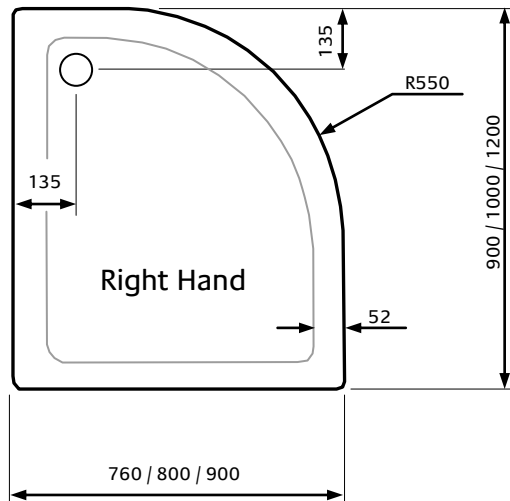
Rectangular



Quadrant



Offset Quadrant



## Lakes Traditional Stone Resin Tray Data—Low Profile (45mm)

Tray Type	Product Code	Size (mm)	Material / Remarks	Legs & Panel Kit	Weight (kg)
SQUARE	AATS7676	760 x 760	ABS capped stone resin. 90mm Waste	AZT EP KIT SR12	14
	AATS88	800 x 800			16
	AATS99	900 x 900			18.5
	AATS11	1000 x 1000		AZT EP KIT SR17	22.5
RECTANGULAR	AATR9076	900 x 760	ABS capped stone resin. 90mm Waste	AZT EP KIT SR12	20
	AATR9080	900 x 800			20
	AATR7610	1000 x 760			18
	AATR8010	1000 x 800			18
	AATR9010	1000 x 900			20
	AATR7612	1200 x 760			24.5
	AATR7612	1200 x 800			25
	AATR9012	1200 x 900			26
	AATR9014	1400 x 900			AZT EP KIT SR17
	AATR8016	1600 x 800		30	
	AATR7017	1700 x 700		30	
	QUADRANT	AATQ88		800 x 800	ABS capped stone resin. 90mm Waste
AATQ99		900 x 900	18		
OFFSET QUADRANT	AATQ9076L	900 x 760	ABS capped stone resin. 90mm Waste	AZT EP KIT Q12	20
	AATQ9076R				
	AATQ8010L	1200 x 800			20.5
	AATQ8010R				
	AATQ8012L	1200 x 900			22
	AATQ8012R				
	AATQ9012L	1200 x 900			24
	AATQ9012R				

## Easy Plumb Kits for Stone Resin Trays (nominally 95mm tall)

Comprising ALL legs, panels & fixings.

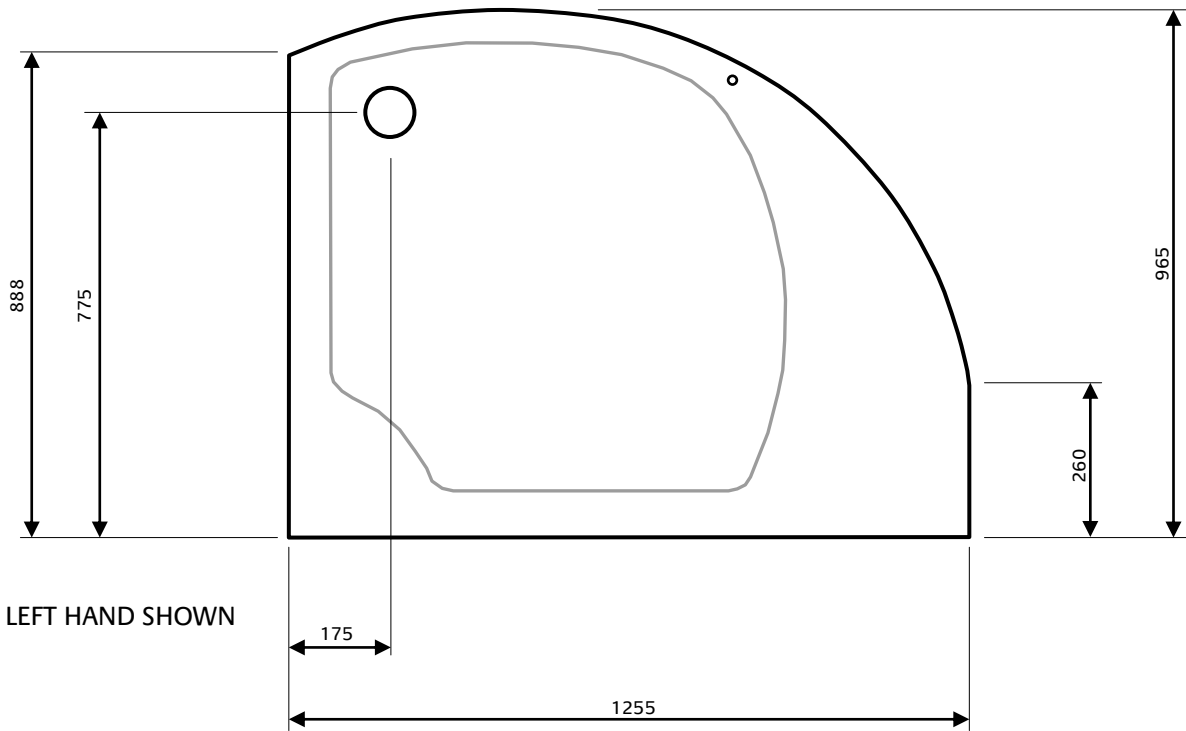
Order Code	Description
AZT EP KIT SR12	Square / Rectangular (1200 x 900mm)
AZT EP KIT SR17	Square / Rectangular (1700 x 1000mm)
AZT EP KIT Q10	Quadrant (1000mm)
AZT EP KIT Q12	Offset Quadrant (1200mm)

## Wastes

Order Code	Description
ZZT WASTE	50mm Waste (80mm Stone Resin Trays)
O1LKT WASTE	90mm High Flow Waste (All Low Profile Trays)



# Lakes Compartment Enclosure Stone Resin Tray. Low Profile (40mm) GEL coated stone resin.



Tray Type	Product Code	Size (mm)	Material / Remarks	Weight (kg)
COMPARTMENT ENCLOSURE	LKCE-900L	1255 x 965	Gel coated stone resin. Low Profile 40mm. 90mm Waste	45
	LKCE-900R			
	LKCE-900L EP	Gel coated stone resin. Low Profile 40mm. Complete with EP kit (nominally 95mm). 90mm Waste	50	
	LKCE-900R EP			

## Lakes Bathrooms

Alexandra Way, Ashchurch, Tewkesbury, Gloucestershire GL20 8NB  
Tel 01684 853870 Fax 01684 853884 Email [info@lakesbathrooms.co.uk](mailto:info@lakesbathrooms.co.uk)  
[www.lakesbathrooms.co.uk](http://www.lakesbathrooms.co.uk)

**Lakes  
Bathrooms**

SUPERIOR AS STANDARD